

**OEM Digital Parts Book
Courtesy of Medical Parts Source**

**Tracer® IV Wheelchair
(After 9/30/03)**



Yes, you can.

TABLE of CONTENTS

Description	Page Number
Accessories - I.V. Rod & Bracket - 2218	77
Accessories - Miscellaneous	81
Accessories - Oxygen Holder - 1497	79
Accessories - Solid Seat Insert	76
Arms - Conventional Adjustable Height - Chrome and Black Finish	15
Arms - Conventional Adjustable Height - Color Finish	21
Arms - Conventional Fixed Height Arm - Black Finish	24
Arms - Conventional Fixed Height Arm - Color Finish	28
Casters - Front and Mounting Hardware	31
Crossbraces & Hardware	7
Forks & Hardware	33
Frame Finishes, Packaging, Literature and Upholstery Colors	4
Frames - Side & Hardware	5
Front Riggings - Bolt Through and Spring Button Kits	50
Front Riggings - Calf Pads	47
Front Riggings - Footrest & Legrest Accessories	48
Front Riggings - Footrest Support Assembly - GT93H Series	55
Front Riggings - Footrest Support Assembly - T93H Series After 5/15/19	53
Front Riggings - Footrest Support Assembly - T93H Series Before 5/16/19	51
Front Riggings - Legrest Support - Articulating - AHL4A & AHL4C	64
Front Riggings - Legrest Support Assembly - GT94H Series	62

TABLE of CONTENTS

Description	Page Number
Front Riggings - Legrest Support Assembly - T94H Series After 5/15/19	60
Front Riggings - Legrest Support Assembly - T94H Series Before 5/16/19	57
Front Riggings - Pivot/Slide Tube (Black) & Footplates - GT93H/T93H Series and GT94H/T94H Series	73
Front Riggings - Pivot/Slide Tube with Footplate - AHL4A/C Legrests	67
Front Riggings - Pivot/Slide Tube with Footplate - T93H Series and T94H Series	70
Seat Extensions	9
Upholstery - Back	13
Upholstery - Seat	11
Wheel Locks - Disk Style (Before 4/15/07)	43
Wheel Locks - Link-Pivot Style (After 4/14/07)	45
Wheels - Non-Projection Handrims - Attaching Hardware	41
Wheels - Non-Projection Handrims and Attaching Hardware	38
Wheels - Rear Wheel Hardware	37
Wheels - Rear Wheels	35

Frame Finishes, Packaging, Literature and Upholstery Colors

NOTE: When adjusting or replacing parts, please refer to your Owner's Manual for assistance.

Frame Finishes

Color Number	Color	Touch-Up Paint Part Number
71P	Silver Vein	N/A

Part Number	Description
1110558	Owner's Manual
1055619	Carton
40131X041	Carton Insert
47568X002-NLA	Bag, Poly (34 x 12 x 38")
40131X039-NLA	Insert

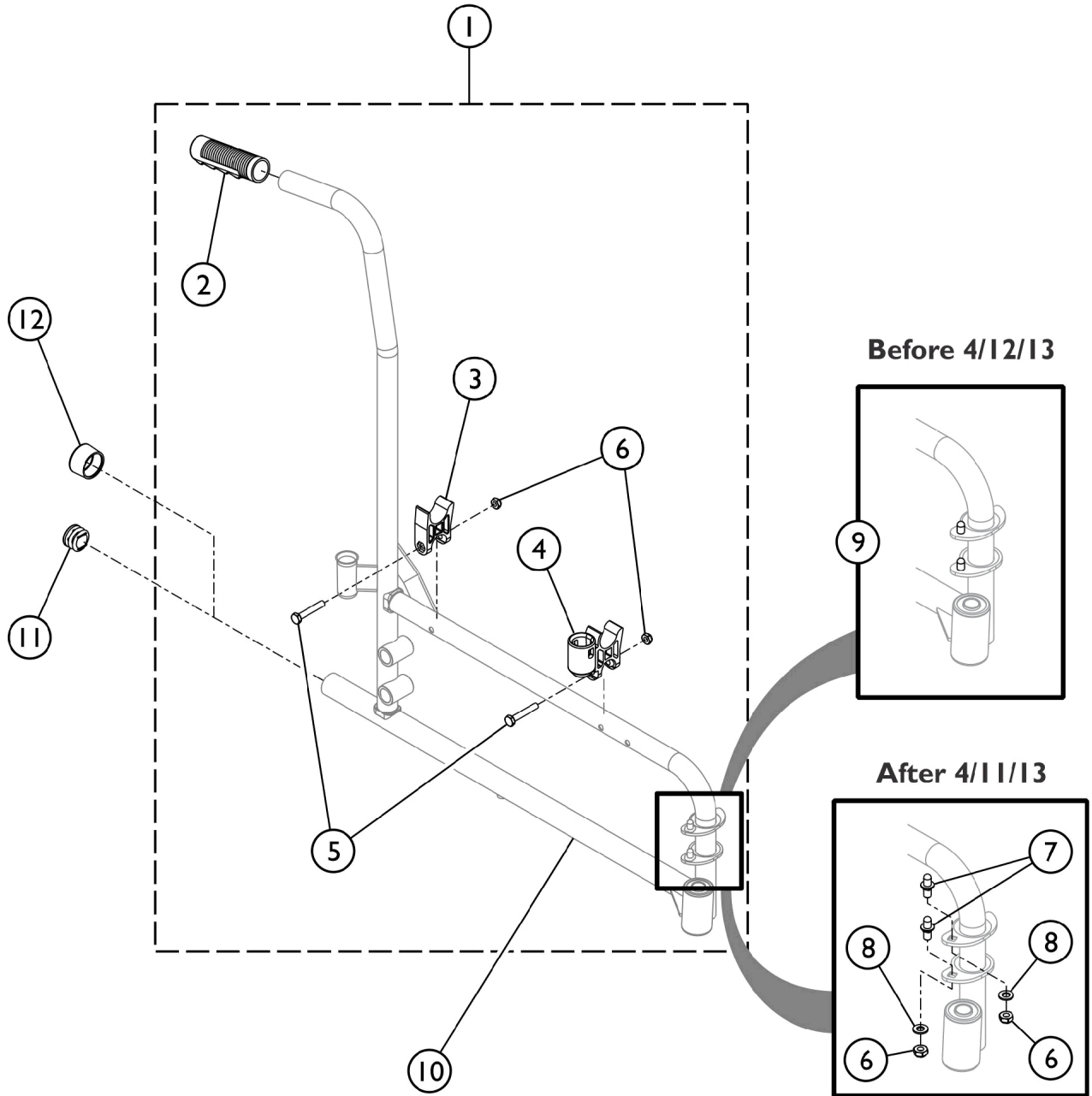
NOTE: When adjusting or replacing parts, please refer to your Owner's Manual for assistance.

Upholstery Colors

Part Number	Description
U240	Black Nylon
U67	Black Vinyl
U75	Dove Grey
U85	Dark Blue
U86	Ruby Red
U88	Camel
U92	Sky Blue
U550	Midnight Blue

Side Frame and Hardware

NOTE: If your chair was built with a serial # starting with "03H" or "03I", please contact an Invacare Parts Specialist for replacement parts at 1-800-333-6900 Ext. 3722.



SSM_043A

Side Frame and Hardware

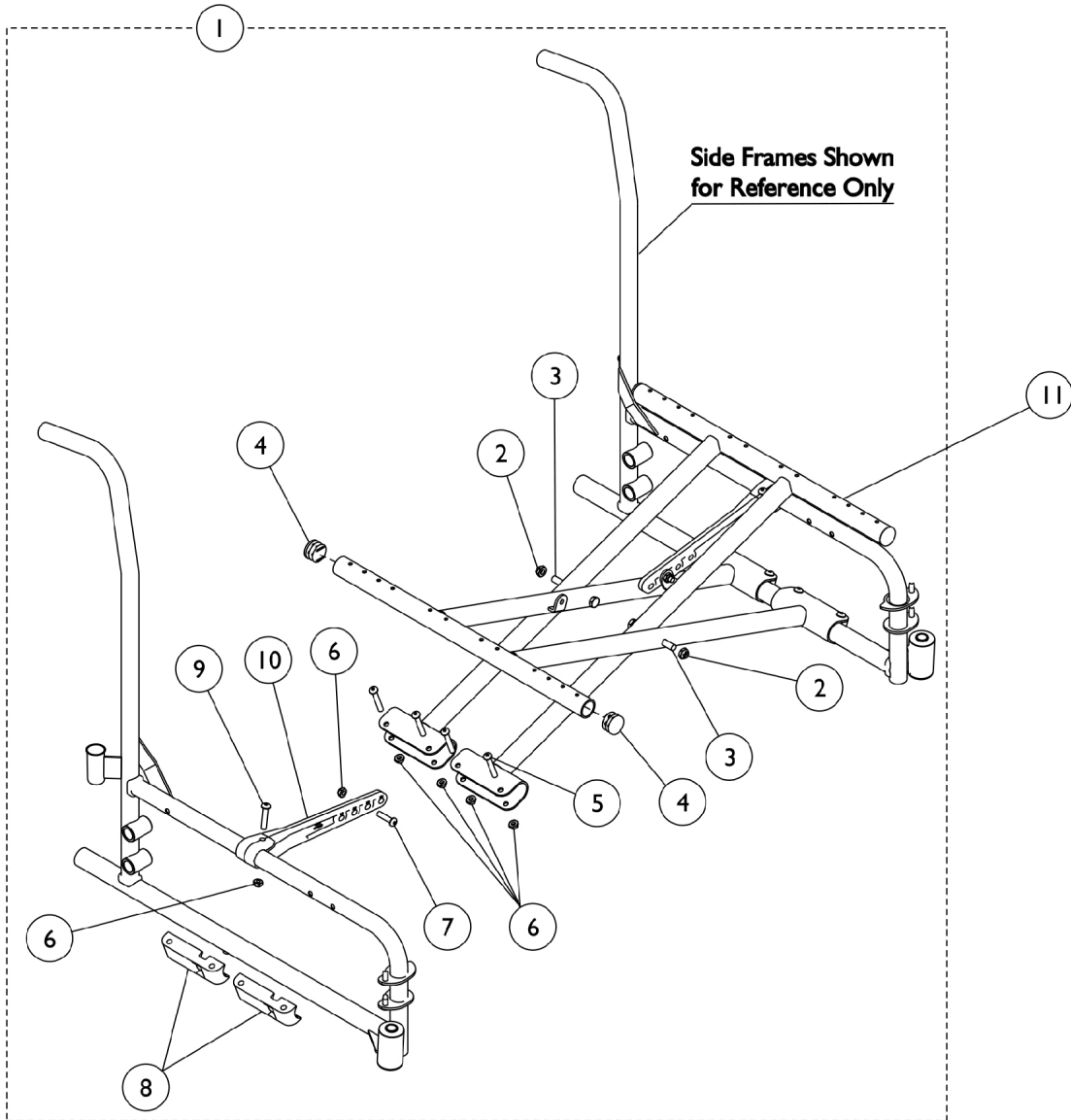
NOTE: If your chair was built with a serial # starting with "03H" or "03I", please contact an Invacare Parts Specialist for replacement parts at 1-800-333-6900 Ext. 3722.

Item Number	Note	Part Number	Description	Quantity Per	
				Package	Assembly
1	A	1193615	Kit, Side Frame Hardware (Pair)	1	1
2			Grip, Hand (6")	1	2
3			H-Block	1	2
4			H-Block with Socket Cup	1	2
5			Screw, Hex Head (1/4-20 x 1-1/2")	1	4
6			Locknut (1/4-20)	1	8
7			Pin, Hinge	1	4
8			Washer, Plain (1/4 x 1/2 x 9/16")	1	4
			NLA - Bag, Poly Zip-Lip (8-3/4" L x 6" W)	1	1
			Instruction Sheet, Hand Grip Service	1	1
3		1107805	H-Block	1	2
4		1109938	H-Block with Socket Cup	1	2
5		16720X004	Screw, Hex Head (1/4-20 x 1-1/2")	1	4
6		60275X000	Locknut (1/4-20)	1	4
9	B,C	1096781	Kit, Hinge Pin Replacement Hardware (Pair)	1	1
			NLA - Wrench, Allen (3/32")	1	1
			Cap, Threaded	1	4
			Washer, Locking Split (#10)	1	4
			Screw, Socket Button Head Cap, Regulator (8-32 x 3/8")	1	4
10	B,C,G	1118225	Frame, Side, Black- Right	1	1
10	B,C,G	1118226-NLA	NLA - Frame, Side, Black- Left	1	1
10	H,I	1194252	Frame, Side, Black - Right	1	1
10	H,I	1194245	Frame, Side, Black - Left	1	1
10	B,C,D, G	8881122748	Frame, Side, Color - Right	1	1
10	B,C,D, G	8881122749	Frame, Side, Color - Left	1	1
10	D,H	8881194239	Frame, Side, Color - Right	1	1
10	D,H	8881194354	Frame, Side, Color - Left	1	1
11	E	1029501	Plug Button, Black (1")	1	2
12	F	15680X013	Anti-Rattle (1")	1	2

NOTE: A - Kit includes items 2 - 8.
 B - 1096781, Hinge Pin Replacement Kit is only used on Side Frames (Item 10) w/ welded on Hinge Pins manufactured before (04/01/13).
 C - Side Frames manufactured after (04/11/13) have Hinge Pin Saddles w/ Square Holes to attach Removable, Non-Welded Hinge Pins.
 D - All Side Frames ordered after (04/11/13) require new Side Frame Hardware that will include the Removable Hinge Pins also and the removable Hinge Pins cannot be sold separately. Specify 71P Silver Vein when ordering.
 E - Chairs without Anti-Tippers require Plug Buttons.
 F - Anti-Rattle used in place of Plug Buttons for Chairs w/ Anti-Tippers.
 G - Before 10/12/16 bearing size was 1/2" (Before 02/21/17 applies to stock models T4_WCB22 and T4_WCB24 only).
 H - After 10/11/16 bearing size changed to 5/8" (After 02/20/17 applies to stock models T4_WCB22 and T4_WCB24 only).
 I - All Side Frames ordered after (04/11/13) require new Side Frame Hardware that will include the Removable Hinge Pins also and the removable Hinge Pins cannot be sold separately.

Crossbraces and Hardware

NOTE: If your chair was built with a serial # starting with "03H" or "03I", please contact an Invacare Parts Specialist for replacement parts at 1-800-333-6900 Ext. 3722.



Crossbraces and Hardware

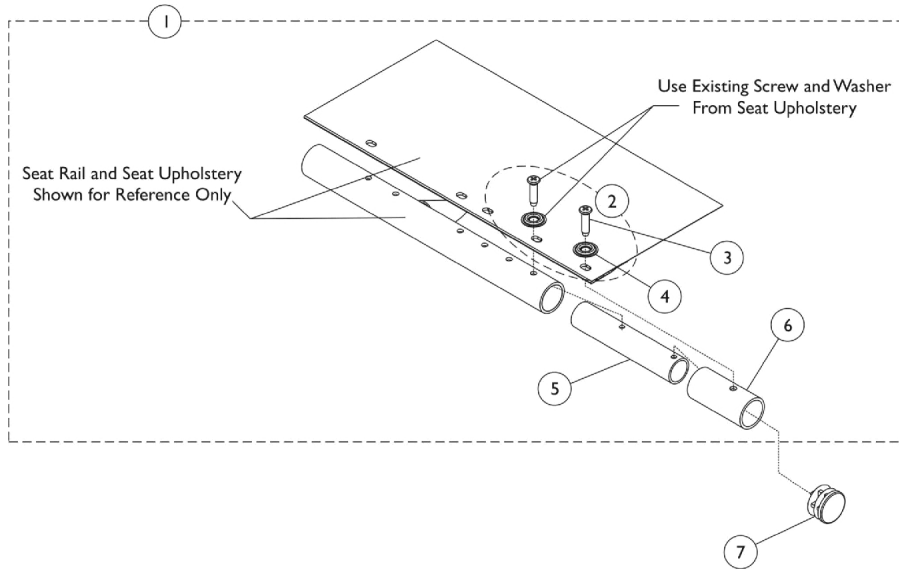
NOTE: If your chair was built with a serial # starting with "03H" or "03I", please contact an Invacare Parts Specialist for replacement parts at 1-800-333-6900 Ext. 3722.

Item Number	Note	Part Number	Description	Quantity Per	
				Package	Assembly
1	A	1118201	Hardware, X-Brace (18 - 24" W)	1	1
2		60264X001	Locknut (5/16-24)	1	2
3		40317X001	Screw, Hex Head (5/16-24 x 2-3/4")	1	2
4		1027095	Plug Button, Black (7/8")	1	4
5		1008495	Screw, Socket Button Head (1/4-20 x 1-1/2")	1	8
6		60275X000	Locknut (1/4-20)	1	12
7		1009837	Screw, Socket Button Head (1/4-20 x 1")	1	2
8		1012172-NLA	NLA - Clamp, Saddle	1	4
9		1008432	Screw, Socket Button Head (1/4-20 x 1-1/4")	1	2
10		1118199	Link, Pivot, Black (18 - 24" W)	1	2
11		1118206	Crossbrace, Black (18" W)	1	2
11		1117405	Crossbrace, Black (20" W)	1	2
11		1117406	Crossbrace, Black (22" W)	1	2
11		1117407	Crossbrace, Black (24" W)	1	2

NOTE: A - Includes items 2-10.

Seat Extensions

NOTE: If your chair was built with a serial # starting with "03H" or "03I", please contact an Invacare Parts Specialist for replacement parts at 1-800-333-6900 Ext. 3722.



Seat Extensions

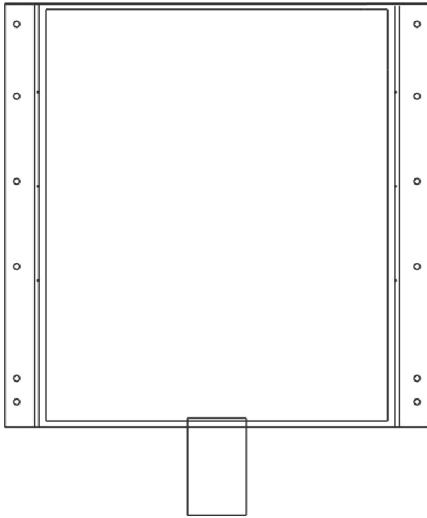
NOTE: If your chair was built with a serial # starting with "03H" or "03I", please contact an Invacare Parts Specialist for replacement parts at 1-800-333-6900 Ext. 3722.

Item Number	Note	Part Number	Description	Quantity Per	
				Package	Assembly
1	A,B	1119122	Kit, Seat Extension (2")	1	1
3			Screw, Phillips Oval Head (#12-14 x 7/8")	1	2
4			Washer (1/4 x 3/4 x 3/32")	1	2
5			Tube, Insert, Black	1	2
6			Spacer	1	2
2			C	1131378	Kit, Hardware
3	Screw, Phillips Oval Head (#12-14 x 7/8")	1			12
4	Washer (1/4 x 3/4 x 3/32")	1			12
7	1027095	Plug Button, Black (7/8")			1
<p>NOTE: A - Includes items 3-6. B - For 20" seat depth, includes items 2-5 all at quantity 2. C - Includes 3 and 4.</p>					

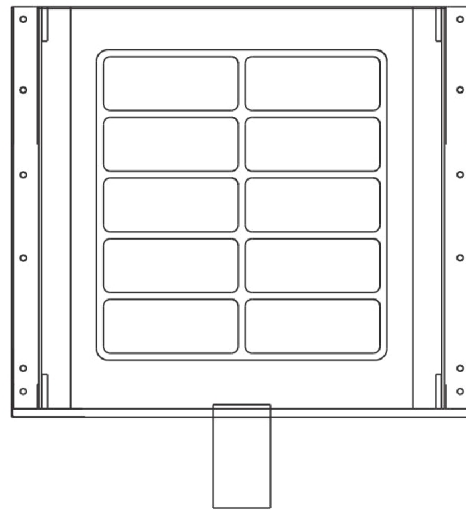
Seat Upholstery and Hardware Kits

NOTE: If your chair was built with a serial # starting with "03H" or "03I", please contact an Invacare Parts Specialist for replacement parts at 1-800-333-6900 Ext. 3722.

NOTE: After 10/11/16 additional hole was added to the rear corners of the seat upholstery and accommodates all wheelchairs manufactured before 10/12/16 as well. All Crossbrace Seat Rails in the field already have the additional upholstery hole and do not require replacement of Crossbraces.



Seat Upholstery - Nylon



Seat Upholstery - Vinyl

Seat Upholstery and Hardware Kits

NOTE: If your chair was built with a serial # starting with "03H" or "03I", please contact an Invacare Parts Specialist for replacement parts at 1-800-333-6900 Ext. 3722.

NOTE: After 10/11/16 additional hole was added to the rear corners of the seat upholstery and accommodates all wheelchairs manufactured before 10/12/16 as well. All Crossbrace Seat Rails in the field already have the additional upholstery hole and do not require replacement of Crossbraces.

Chair Width x Depth	Vinyl Upholstery	Nylon Upholstery
18" x 18"	8881127512 See Note(s) B, A	1127579 See Note(s) B
18" x 20"	8881127588 See Note(s) B, A	1127580 See Note(s) B
20" x 18"	8881135515 See Note(s) B, A	1127536 See Note(s) B
20" x 20"	8881127590 See Note(s) B, A	1127582 See Note(s) B
22" x 18"	8881127591 See Note(s) B, A	1127538 See Note(s) B
22" x 20"	8881127592 See Note(s) B, A	1127584 See Note(s) B
24" x 18"	8881127593 See Note(s) B, A	1127585 See Note(s) B
24" x 20"	8881127594 See Note(s) B, A	1127586 See Note(s) B

NOTE: A - Specify upholstery color when ordering. See category titled, "Upholstery and Frame Colors."
B - Upholstery kits include hardware. 18" deep chairs have six mounting holes and 20" deep chairs have seven mounting holes.

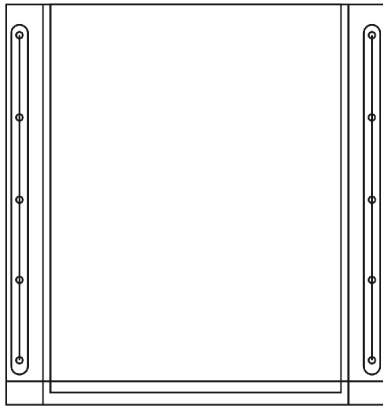
Hardware - Seat Upholstery

Part Number	Description	Quantity
1194392 See Note(s) A	14 ea. Screw, Phillips Oval Head (#12-14 x 7/8") 14 ea. Washer (1/4 x 3/4 x 3/32")	1 package of 14 Screws and 14 Washers

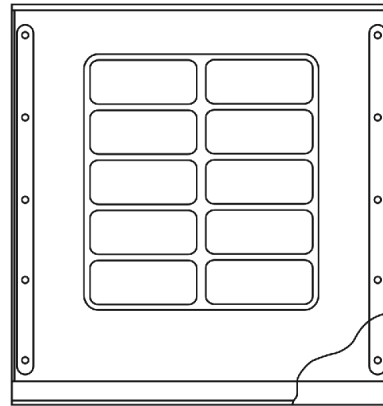
NOTE: A - Hardware is not sold individually.

Back Upholstery

NOTE: If your chair was built with a serial # starting with "03H" or "03I", please contact an Invacare Parts Specialist for replacement parts at 1-800-333-6900 Ext. 3722.



Back Upholstery - Nylon



Back Upholstery - Vinyl

Back Upholstery

NOTE: If your chair was built with a serial # starting with "03H" or "03I", please contact an Invacare Parts Specialist for replacement parts at 1-800-333-6900 Ext. 3722.

Chair Width x Height	Vinyl Upholstery	Nylon Upholstery
18" x 16"	8881127476	1135517
	See Note(s) B, A	See Note(s) B
20" x 16"	8881127576	1135518
	See Note(s) A, B	See Note(s) B
22" x 16"	8881135516	1135519
	See Note(s) A, B	See Note(s) B
24" x 16"	8881127578	1127574
	See Note(s) A, B	See Note(s) B

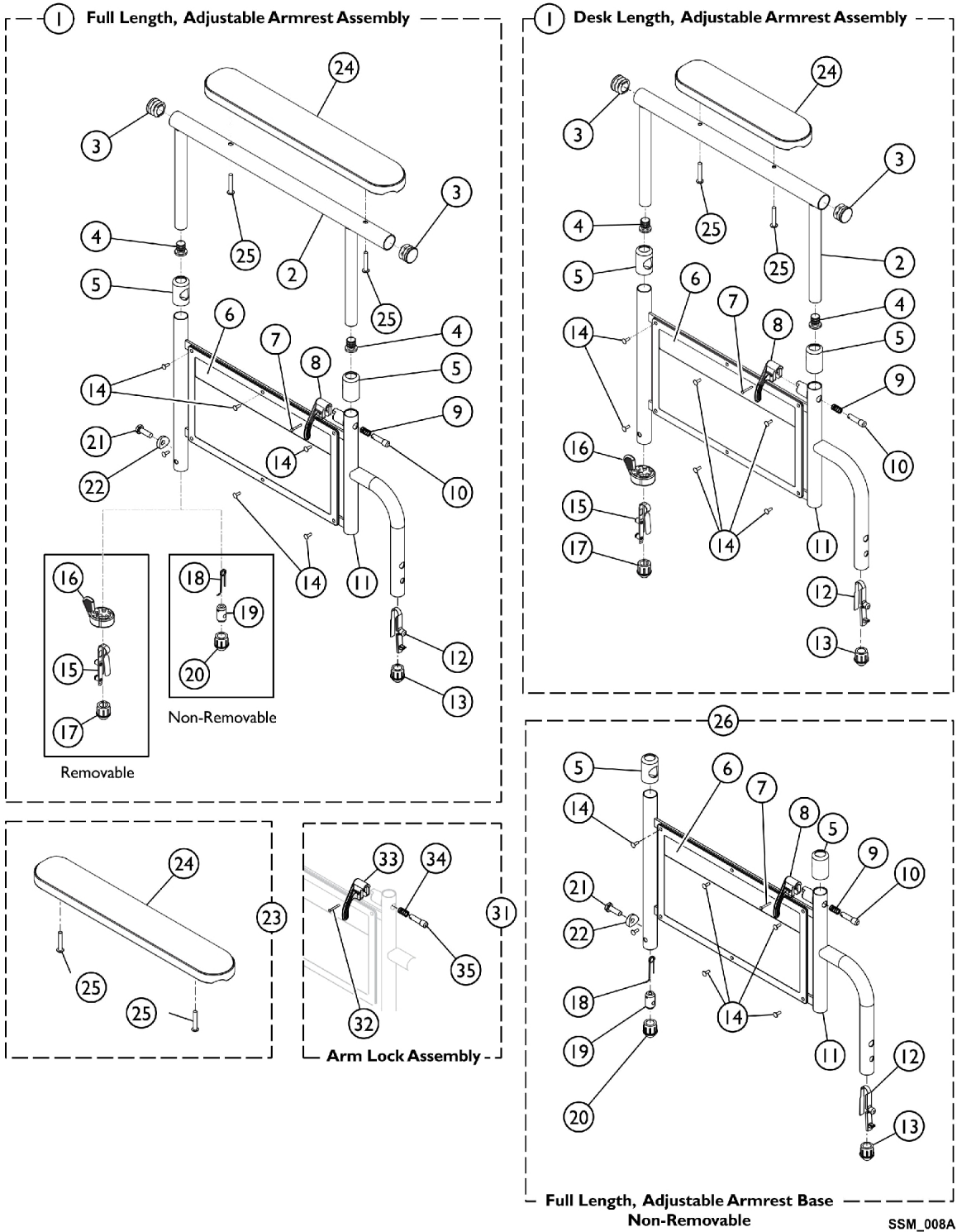
NOTE: A - Specify upholstery color when ordering. See category titled, "Upholstery and Frame Colors."
 B - Upholstery kits include hardware.

Hardware for Back Upholstery

Part Number
1131378
12 each - Washer (1/4 x 3/4 x 3/32")
12 each - Screw (#12 x 7/8")

Conventional Adjustable Height Arms - Chrome and Black Finish

NOTE: If your chair was built with a serial number starting with "03H" or "03I", please contact an Invacare Parts Specialist for replacement parts at 1-800-333-6900 Ext. 3722.



Conventional Adjustable Height Arms - Chrome and Black Finish

NOTE: If your chair was built with a serial number starting with "03H" or "03I", please contact an Invacare Parts Specialist for replacement parts at 1-800-333-6900 Ext. 3722.

Item Number	Note	Part Number	Description	Quantity Per			
				Package	Assembly		
1	A,B,J	8881127561	Kit, Armrest, Full Length, Black - Right (Style 19)	1	1		
2			Tube, Arm, Full Length, Black	1	1		
3			Plug Button, Black (7/8")	2	1		
4			Plug Button, Black (5/8")	2	1		
5			Anti-Rattle	2	1		
6			Guard, Clothing	1	1		
7			Rivet, Tubular	1	1		
8			Handle, Lock, Black - Right	1	1		
9			Spring, Arm Lock	1	1		
10			Pin, Locking	1	1		
11			Armrest, Adjustable Height, Black	1	1		
12			Spring, Torsion w/ Button Lock	1	1		
13			Plug, Armrest, Black (3/4") (18GA)	1	1		
14			Rivet	6	1		
15			Spring, Torsion with Button Lock	1	1		
16			Handle, Quad Release	1	1		
17			Plug Button, Arm Tube, Black (3/4")	1	1		
24			NLA - Pad, Arm, Full Length w/ Law Label	1	1		
25			Package, Screw Phillips Pan Head (#10-32 x 1-1/8")	2	1		
1			A,B,J	8881127456	Kit, Armrest, Full Length, Black - Left (Style 19)	1	1
2					Tube, Arm, Full Length, Black	1	1
3					Plug Button, Black (7/8")	1	2
4					Plug Button, Black (5/8")	1	2
5					Anti-Rattle	1	2
6	Guard, Clothing	1			1		
7	Rivet, Tubular	1			1		
8	Handle, Lock, Black - Left	1			1		
9	Spring, Arm Lock	1			1		
10	Pin, Locking	1			1		
11	Armrest, Adjustable Height, Black	1			1		
12	Spring, Torsion w/ Button Lock	1			1		
13	Plug, Armrest, Black (3/4") (18GA)	1			1		
14	Rivet	1			6		
15	Spring, Torsion with Button Lock	1			1		
16	Handle, Quad Release	1			1		
17	Plug Button, Arm Tube, Black (3/4")	1			1		
24	NLA - Pad, Arm, Full Length w/ Law Label	1			1		
25	Package, Screw Phillips Pan Head (#10-32 x 1-1/8")	1			1		
1	A,B,J	8881135513			Kit, Armrest, Desk Length, Black - Right (Style 29)	1	1
2					Tube, Arm, Desk Length, Black	1	1
3					Plug Button, Black (7/8")	1	2

Conventional Adjustable Height Arms - Chrome and Black Finish

NOTE: If your chair was built with a serial number starting with "03H" or "03I", please contact an Invacare Parts Specialist for replacement parts at 1-800-333-6900 Ext. 3722.

Item Number	Note	Part Number	Description	Quantity Per	
				Package	Assembly
4			Plug Button, Black (5/8")	1	2
5			Anti-Rattle	1	2
6			Guard, Clothing	1	1
7			Rivet, Tubular	1	1
8			Handle, Lock, Black - Right	1	1
9			Spring, Arm Lock	1	1
10			Pin, Locking	1	1
11			Armrest, Adjustable Height, Black	1	1
12			Spring, Torsion w/ Button Lock	1	1
13			Plug, Armrest, Black (3/4") (18GA)	1	1
14			Rivet	1	6
15			Spring, Torsion with Button Lock	1	1
16			Handle, Quad Release	1	1
17			Plug Button, Arm Tube, Black (3/4")	1	1
24			Arm Pad, Desk Length w/ Law Label	1	1
25			Package, Screw Phillips Pan Head (#10-32 x 1-1/8")	2	1
1	A,B,J	8881135514	Kit, Armrest, Desk Length, Black - Left (Style 29)	1	1
2			Tube, Arm, Desk Length, Black	1	1
3			Plug Button, Black (7/8")	1	2
4			Plug Button, Black (5/8")	1	2
5			Anti-Rattle	1	2
6			Guard, Clothing	1	1
7			Rivet, Tubular	1	1
8			Handle, Lock, Black - Left	1	1
9			Spring, Arm Lock	1	1
10			Pin, Locking	1	1
11			Armrest, Adjustable Height, Black	1	1
12			Spring, Torsion w/ Button Lock	1	1
13			Plug, Armrest, Black (3/4") (18GA)	1	1
14			Rivet	1	6
15			Spring, Torsion with Button Lock	1	1
16			Handle, Quad Release	1	1
17			Plug Button, Arm Tube, Black (3/4")	1	1
24			Arm Pad, Desk Length w/ Law Label	1	1
25			Package, Screw Phillips Pan Head (#10-32 x 1-1/8")	2	1
1	C,D,J	8881127562	Kit, Armrest, Full Length, Black- Right (Style 19)	1	1
2			Tube, Arm, Full Length, Black	1	1
3			Plug Button, Black (7/8")	1	2
4			Plug Button, Black (5/8")	1	2
5			Anti-Rattle	1	2
6			Guard, Clothing	1	1

Conventional Adjustable Height Arms - Chrome and Black Finish

NOTE: If your chair was built with a serial number starting with "03H" or "03I", please contact an Invacare Parts Specialist for replacement parts at 1-800-333-6900 Ext. 3722.

Item Number	Note	Part Number	Description	Quantity Per	
				Package	Assembly
7			Rivet, Tubular	1	1
8			Handle, Lock, Black - Right	1	1
9			Spring, Arm Lock	1	1
10			Pin, Locking	1	1
11			Armrest, Adjustable Height, Black	1	1
12			Spring, Torsion w/ Button Lock	1	1
13			Plug, Armrest, Black (3/4") (18GA)	1	1
14			Rivet	1	6
18			Spring, Release	1	1
19			Insert, Threaded	1	1
20			Plug, Armrest, Black (3/4") (20GA)	1	1
21			NLA - Bolt, Hex Head Cap (1/4-20 x 3/4")	1	1
22			Spacer, Coved (1/4 x 11/16 x 1/2")	1	1
24			NLA - Pad, Arm, Full Length w/ Law Label	1	1
25			Package, Screw Phillips Pan Head (#10-32 x 1-1/8")	1	2
1	C,D,J	8881127560	Kit, Armrest, Full Length, Black- Left (Style 19)	1	1
2			Tube, Arm, Full Length, Black	1	1
3			Plug Button, Black (7/8")	1	2
4			Plug Button, Black (5/8")	1	2
5			Anti-Rattle	1	2
6			Guard, Clothing	1	1
7			Rivet, Tubular	1	1
8			Handle, Lock, Black - Left	1	1
9			Spring, Arm Lock	1	1
10			Pin, Locking	1	1
11			Armrest, Adjustable Height, Black	1	1
12			Spring, Torsion w/ Button Lock	1	1
13			Plug, Armrest, Black (3/4") (18GA)	1	1
14			Rivet	1	6
18			Spring, Release	1	1
19			Insert, Threaded	1	1
20			Plug, Armrest, Black (3/4") (20GA)	1	1
21			NLA - Bolt, Hex Head Cap (1/4-20 x 3/4")	1	1
22			Spacer, Coved (1/4 x 11/16 x 1/2")	1	1
24			NLA - Pad, Arm, Full Length w/ Law Label	1	1
25			Package, Screw Phillips Pan Head (#10-32 x 1-1/8")	1	2
23	E,J	8881127510	Kit, Arm Pad w/Screws - Desk Length	1	1
24			Arm Pad, Desk Length w/ Law Label	1	1
25			Package, Screw Phillips Pan Head (#10-32 x 1-1/8")	2	1
23	E,J	8881127509	Kit, Arm Pad w/Screws - Full Length	1	1
24			NLA - Pad, Arm, Full Length w/ Law Label	1	1

Conventional Adjustable Height Arms - Chrome and Black Finish

NOTE: If your chair was built with a serial number starting with "03H" or "03I", please contact an Invacare Parts Specialist for replacement parts at 1-800-333-6900 Ext. 3722.

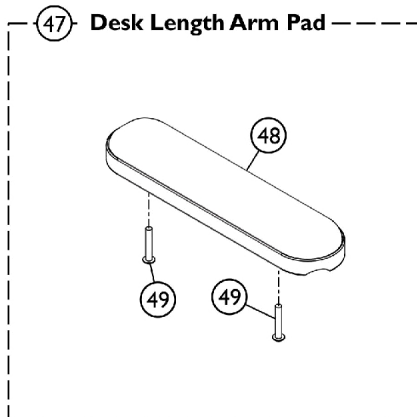
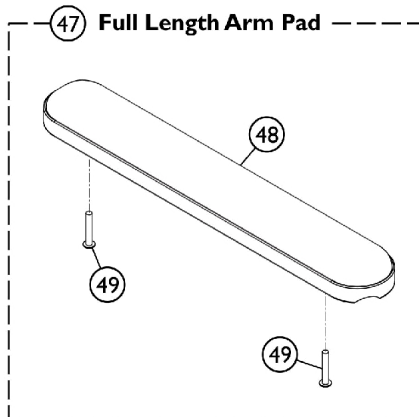
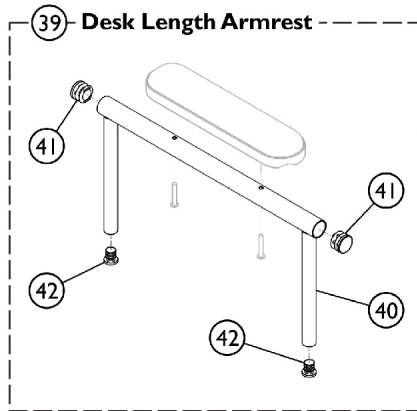
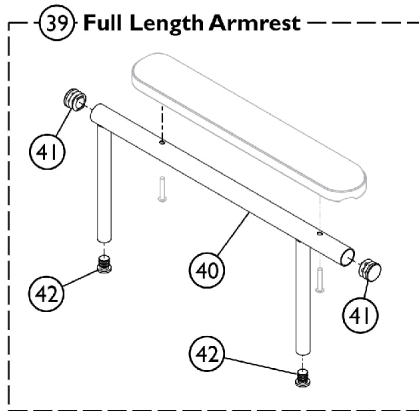
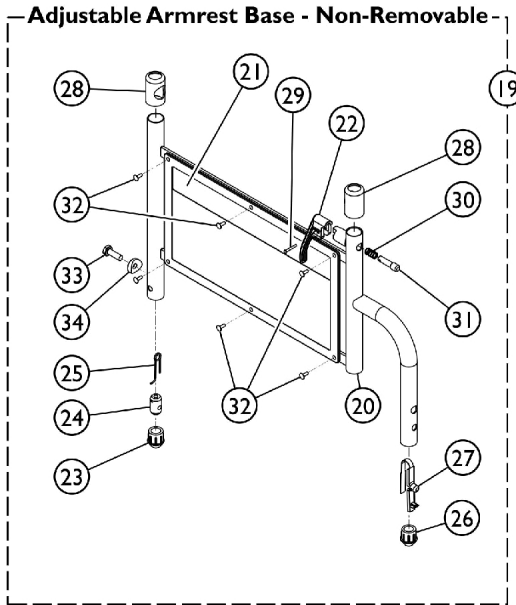
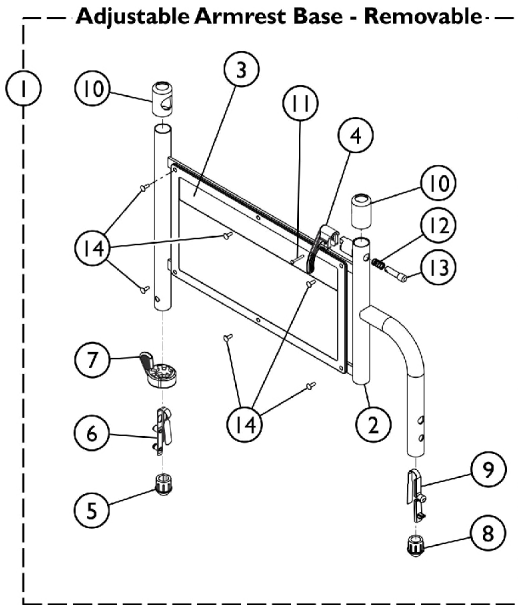
Item Number	Note	Part Number	Description	Quantity Per	
				Package	Assembly
25			Package, Screw Phillips Pan Head (#10-32 x 1-1/8")	2	1
26	C,F,H	1121162	Kit, Armrest Base, Adjustable, Non-removable, Black - Right	1	1
5			Anti-Rattle	1	2
6			Guard, Clothing	1	1
7			Rivet, Tubular	1	1
8			Handle, Lock, Black - Right	1	1
9			Spring, Arm Lock	1	1
10			Pin, Locking	1	1
11			Armrest, Adjustable Height, Black	1	1
12			Spring, Torsion w/ Button Lock	1	1
13			Plug, Armrest, Black (3/4") (18GA)	1	1
14			Rivet	1	6
18			Spring, Release	1	1
19			Insert, Threaded	1	1
20			Plug, Armrest, Black (3/4") (20GA)	1	1
21			NLA - Bolt, Hex Head Cap (1/4-20 x 3/4")	1	1
22			Spacer, Coved (1/4 x 11/16 x 1/2")	1	1
26	C,F,H	1121163	Kit, Armrest Base, Adjustable, Non-removable, Black - Left	1	1
5			Anti-Rattle	1	2
6			Guard, Clothing	1	1
7			Rivet, Tubular	1	1
8			Handle, Lock, Black - Left	1	1
9			Spring, Arm Lock	1	1
10			Pin, Locking	1	1
11			Armrest, Adjustable Height, Black	1	1
12			Spring, Torsion w/ Button Lock	1	1
13			Plug, Armrest, Black (3/4") (18GA)	1	1
14			Rivet	1	6
18			Spring, Release	1	1
19			Insert, Threaded	1	1
20			Plug, Armrest, Black (3/4") (20GA)	1	1
21			NLA - Bolt, Hex Head Cap (1/4-20 x 3/4")	1	1
22			Spacer, Coved (1/4 x 11/16 x 1/2")	1	1
26	G,H	1038460-NLA	NLA - Arm Tube Assembly w/ Plug Buttons, Desk Length, Black - Right/Left	1	1
31	I	7100053	Arm Lock Assembly, Black - Right	1	1
32			Rivet, Tubular	1	2
33			Handle, Lock, Black - Right	1	1
34			Spring, Arm Lock	1	2
35			Pin, Locking	1	2

Conventional Adjustable Height Arms - Chrome and Black Finish

NOTE: If your chair was built with a serial number starting with "03H" or "03I", please contact an Invacare Parts Specialist for replacement parts at 1-800-333-6900 Ext. 3722.

Item Number	Note	Part Number	Description	Quantity Per	
				Package	Assembly
31	I	7100054	Arm Lock Assembly, Black - Left	1	1
32			Rivet, Tubular	1	2
33			Handle, Lock, Black - Left	1	1
34			Spring, Arm Lock	1	2
35			Pin, Locking	1	2
<p>NOTE: A - Removable Arm. B - Includes items 2-17, 24 and 25. C - Non-Removable. D - Includes items 2-14, 18-22, 24 and 25. E - Includes items 24 and 25. F - Includes items 5-14 and 18-22. G - Includes items 2-4. H - Please contact an Invacare Parts Specialist to order this item. I - Includes items 32-35. J - Specify upholstery color when ordering, see category titled "Frame Finishes, Packaging, Literature and Upholstery".</p>					

Conventional Adjustable Height Arms - Color Finish



SSM_009A

Conventional Adjustable Height Arms - Color Finish

Item Number	Note	Part Number	Description	Quantity Per	
				Package	Assembly
1	E,A	8881181883	Kit, Armrest Base, Adjustable, Removable, Color - Right	1	1
2			Armrest, Adjustable Height, Color	1	1
3			Guard, Clothing	1	1
4			Handle, Lock, Black - Right	1	1
5			Plug Button, Arm Tube, Black (3/4")	1	1
6			Spring, Torsion with Button Lock	1	1
7			Handle, Quad Release	1	1
8			Plug, Armrest, Black (3/4") (18GA)	1	1
9			Spring, Torsion w/ Button Lock	1	1
10			Anti-Rattle	1	2
11			Rivet, Tubular	1	1
12			Spring, Arm Lock	1	1
13			Pin, Locking	1	1
14			Rivet	1	6
1	E,A	8881181884	Kit, Armrest Base, Adjustable, Removable, Color - Left	1	1
2			Armrest, Adjustable Height, Color	1	1
3			Guard, Clothing	1	1
4			Handle, Lock, Black - Left	1	1
5			Plug Button, Arm Tube, Black (3/4")	1	1
6			Spring, Torsion with Button Lock	1	1
7			Handle, Quad Release	1	1
8			Plug, Armrest, Black (3/4") (18GA)	1	1
9			Spring, Torsion w/ Button Lock	1	1
10			Anti-Rattle	1	2
11			Rivet, Tubular	1	1
12			Spring, Arm Lock	1	1
13			Pin, Locking	1	1
14			Rivet	1	6
19	E,B	8881181885	Kit, Armrest Base, Adjustable, Non-removable, Color - Right	1	1
20			Armrest, Adjustable Height, Color	1	1
21			Guard, Clothing	1	1
22			Handle, Lock, Black - Right	1	1
23			Plug, Armrest, Black (3/4") (20GA)	1	1
24			Insert, Threaded	1	1
25			Spring, Release	1	1
26			Plug, Armrest, Black (3/4") (18GA)	1	1
27			Spring, Torsion w/ Button Lock	1	1
28			Anti-Rattle	1	2
29			Rivet, Tubular	1	1
30			Spring, Arm Lock	1	1
31			Pin, Locking	1	1

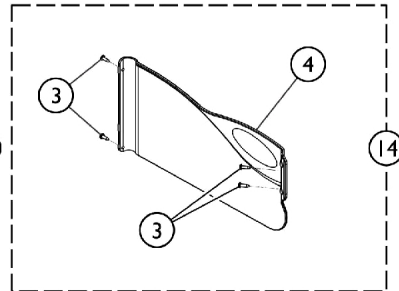
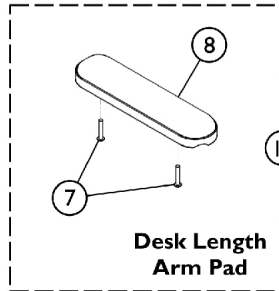
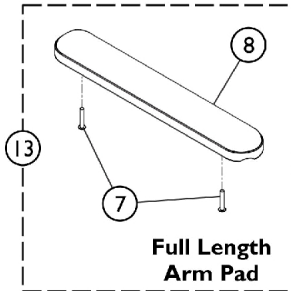
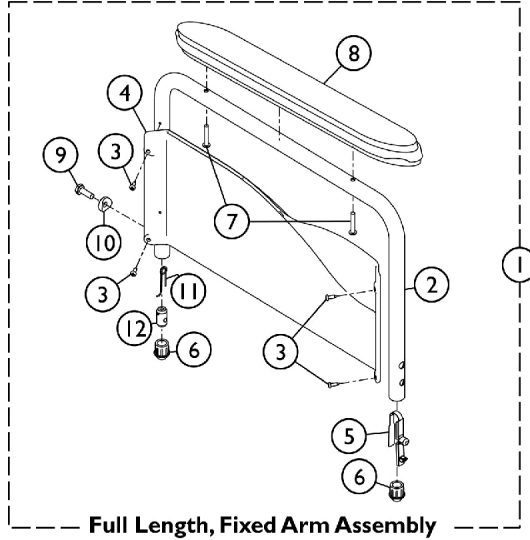
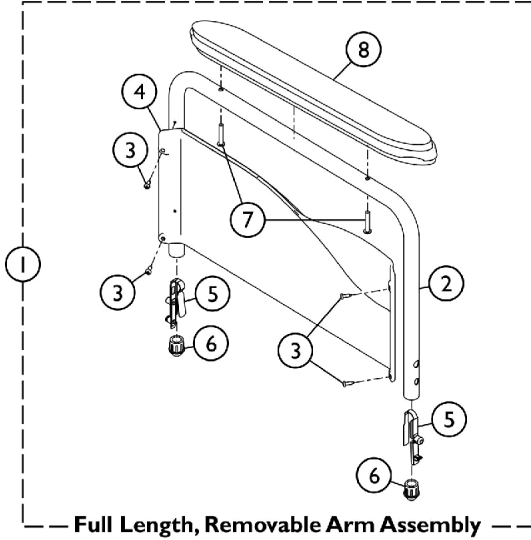
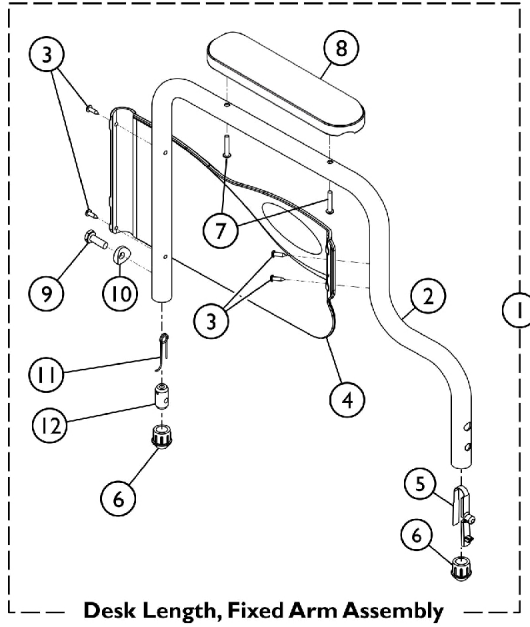
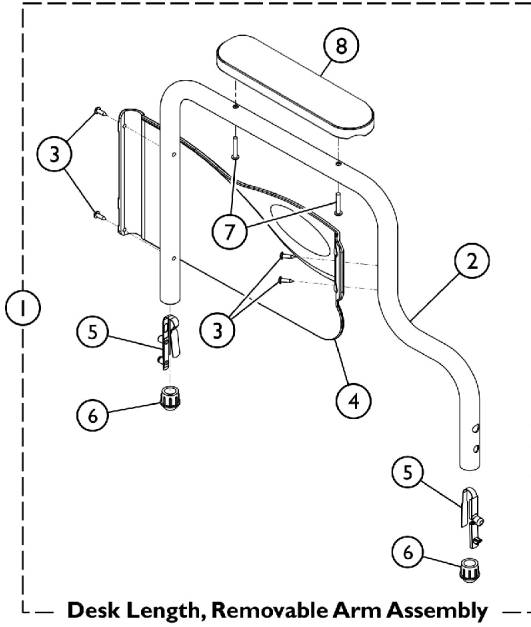
Conventional Adjustable Height Arms - Color Finish

Item Number	Note	Part Number	Description	Quantity Per	
				Package	Assembly
32			Rivet	1	6
33			NLA - Bolt, Hex Head Cap (1/4-20 x 3/4")	1	1
34			Spacer, Coved (1/4 x 11/16 x 1/2")	1	1
19	E,B	8881181886	Kit, Armrest Base, Adjustable, Non-removable, Color - Left	1	1
20			Armrest, Adjustable Height, Color	1	1
21			Guard, Clothing	1	1
22			Handle, Lock, Black - Left	1	1
23			Plug, Armrest, Black (3/4") (20GA)	1	1
24			Insert, Threaded	1	1
25			Spring, Release	1	1
26			Plug, Armrest, Black (3/4") (18GA)	1	1
27			Spring, Torsion w/ Button Lock	1	1
28			Anti-Rattle	1	2
29			Rivet, Tubular	1	1
30			Spring, Arm Lock	1	1
31			Pin, Locking	1	1
32			Rivet	1	6
33			NLA - Bolt, Hex Head Cap (1/4-20 x 3/4")	1	1
34			Spacer, Coved (1/4 x 11/16 x 1/2")	1	1
39	C,E	8881181879	Kit, Armrest w/ Plug Buttons, Desk Length, Color - Right/Left	1	1
40			Tube, Arm, Desk Length, Color - Right/Left	1	1
41			Plug Button, Black (7/8")	1	2
42			Plug Button, Black (5/8")	1	2
39	C,E	8881181881	Kit, Armrest w/ Plug Buttons, Full Length, Color - Right/Left	1	1
40			Tube, Arm, Full Length, Color - Right/Left	1	1
41			Plug Button, Black (7/8")	1	2
42			Plug Button, Black (5/8")	1	2
47	D	8881127509	Kit, Arm Pad w/Screws - Full Length	1	1
48			NLA - Pad, Arm, Full Length w/ Law Label	1	1
49			Package, Screw Phillips Pan Head (#10-32 x 1-1/8")	2	1
47	D	8881127510	Kit, Arm Pad w/Screws - Desk Length	1	1
48			Arm Pad, Desk Length w/ Law Label	1	1
49			Package, Screw Phillips Pan Head (#10-32 x 1-1/8")	2	1

NOTE: A - Includes items 2-14.
 B - Includes items 20-34.
 C - Includes items 40-42.
 D - Includes items 48 and 49. Specify upholstery color when ordering, see category titled "Frame Finishes, Packaging, Literature and Upholstery".
 E - Specify 71P Silver Vein when ordering.

Conventional Fixed Height - Black Finish

NOTE: If your chair was built with a serial # starting with "03H" or "03I", please contact an Invacare Parts Specialist for replacement parts at 1-800-333-6900 Ext. 3722.



SSM_010B

Conventional Fixed Height - Black Finish

NOTE: If your chair was built with a serial # starting with "03H" or "03I", please contact an Invacare Parts Specialist for replacement parts at 1-800-333-6900 Ext. 3722.

Item Number	Note	Part Number	Description	Quantity Per	
				Package	Assembly
1	A,B	8881127565	Kit, Armrest, Desk Length, Black - Right (Style 28)	1	1
2			Armrest, Desk Length, Black - Right	1	1
3			Screw, Self Tapping (#6-20 x 1/2")	1	4
4			NLA - Guard, Clothing, Desk Length - Right	1	1
5			Spring, Torsion w/ Button Lock	1	2
6			Plug, Armrest, Black (3/4") (18GA)	1	2
7			Package, Screw Phillips Pan Head (#10-32 x 1-1/8")	1	2
8			Arm Pad, Desk Length w/ Law Label	1	1
1	A,B	8881127563	Kit, Armrest, Desk Length, Black - Left (Style 28)	1	1
2			Armrest, Desk Length, Black- Left	1	1
3			Screw, Self Tapping (#6-20 x 1/2")	1	4
4			NLA - Guard, Clothing, Desk Length - Left	1	1
5			Spring, Torsion w/ Button Lock	1	2
6			Plug, Armrest, Black (3/4") (18GA)	1	2
7			Package, Screw Phillips Pan Head (#10-32 x 1-1/8")	1	2
8			Arm Pad, Desk Length w/ Law Label	1	1
1	C,D	8881127566	Kit, Armrest, Desk Length, Black - Right (Style 28)	1	1
2			Armrest, Desk Length, Black - Right	1	1
3			Screw, Self Tapping (#6-20 x 1/2")	1	4
4			NLA - Guard, Clothing, Desk Length - Right	1	1
5			Spring, Torsion w/ Button Lock	1	1
6			Plug, Armrest, Black (3/4") (18GA)	1	2
7			Package, Screw Phillips Pan Head (#10-32 x 1-1/8")	1	2
8			Arm Pad, Desk Length w/ Law Label	1	1
9			NLA - Bolt, Hex Head Cap (1/4-20 x 3/4")	1	1
10			Spacer, Coved (1/4 x 11/16 x 1/2")	1	1
11			Spring, Release	1	1
12			Insert, Threaded	1	1
1	C,D	8881127564	Kit, Armrest, Desk Length, Black - Left (Style 28)	1	1
2			Armrest, Desk Length, Black- Left	1	1
3			Screw, Self Tapping (#6-20 x 1/2")	1	4
4			NLA - Guard, Clothing, Desk Length - Left	1	1
5			Spring, Torsion w/ Button Lock	1	1
6			Plug, Armrest, Black (3/4") (18GA)	1	2
7			Package, Screw Phillips Pan Head (#10-32 x 1-1/8")	1	2
8			Arm Pad, Desk Length w/ Law Label	1	1
9			NLA - Bolt, Hex Head Cap (1/4-20 x 3/4")	1	1
10			Spacer, Coved (1/4 x 11/16 x 1/2")	1	1
11			Spring, Release	1	1
12			Insert, Threaded	1	1
1	A,B	8881127569	Kit, Armrest, Full Length, Black - Right (Style 18)	1	1
2			Armrest, Full Length, Black - Right	1	1
3			Guard, Clothing, Full Length - Right	1	1

Conventional Fixed Height - Black Finish

NOTE: If your chair was built with a serial # starting with "03H" or "03I", please contact an Invacare Parts Specialist for replacement parts at 1-800-333-6900 Ext. 3722.

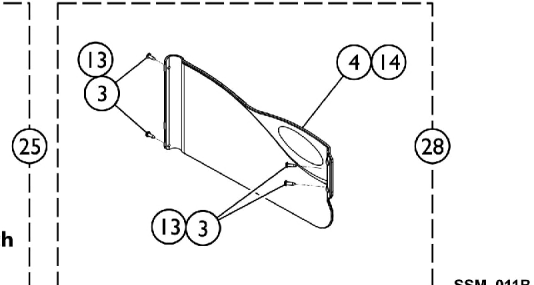
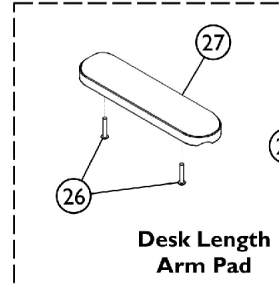
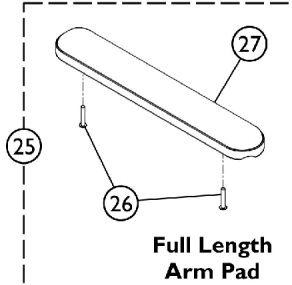
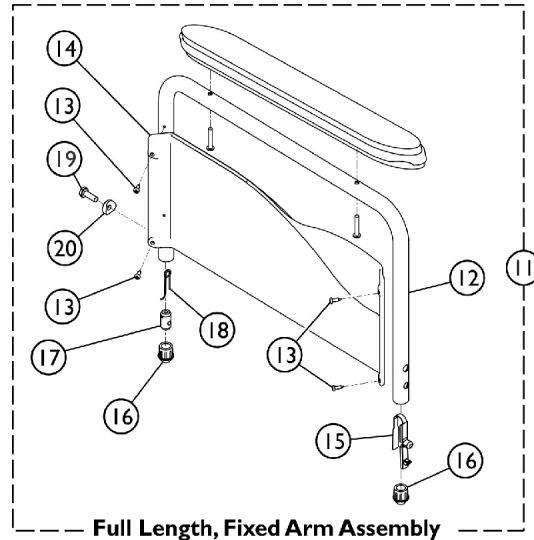
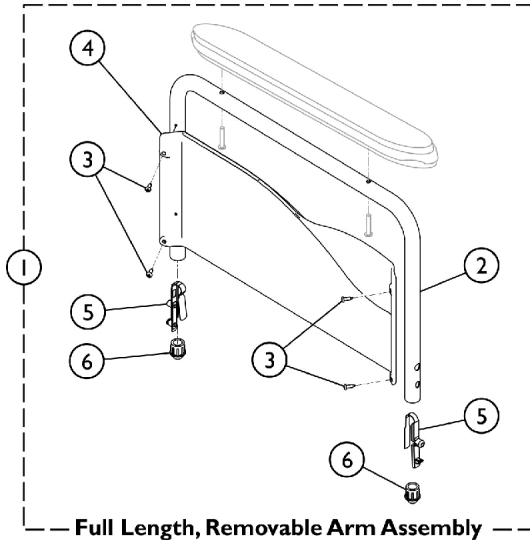
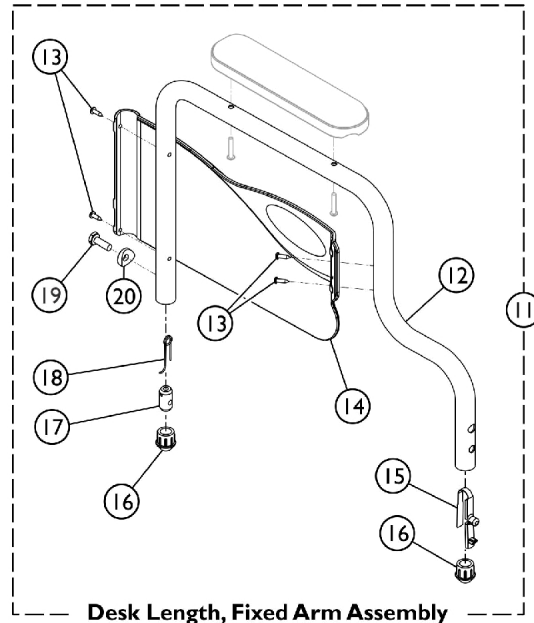
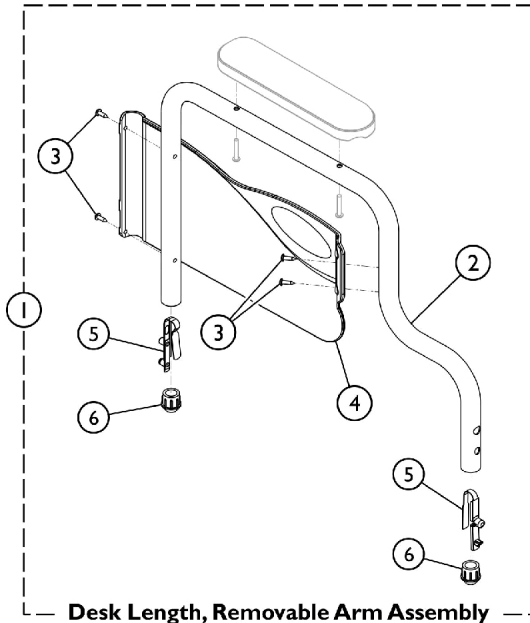
Item Number	Note	Part Number	Description	Quantity Per	
				Package	Assembly
4			Screw, Self Tapping (#6-20 x 1/2")	1	4
5			Spring, Torsion w/ Button Lock	1	2
6			Plug, Armrest, Black (3/4") (18GA)	1	2
7			Package, Screw Phillips Pan Head (#10-32 x 1-1/8")	1	2
8			NLA - Pad, Arm, Full Length w/ Law Label	1	1
1	A,B	8881127567	Kit, Armrest, Full Length, Black - Left (Style 18)	1	1
2			Armrest, Full Length, Black - Left	1	1
3			Guard, Clothing, Full Length - Left	1	1
4			Screw, Self Tapping (#6-20 x 1/2")	1	4
5			Spring, Torsion w/ Button Lock	1	2
6			Plug, Armrest, Black (3/4") (18GA)	1	2
7			Package, Screw Phillips Pan Head (#10-32 x 1-1/8")	1	2
8			NLA - Pad, Arm, Full Length w/ Law Label	1	1
1	C,D	8881127570	Kit, Armrest, Full Length, Black - Right (Style 18)	1	1
2			Armrest, Full Length, Black - Right	1	1
3			Screw, Self Tapping (#6-20 x 1/2")	1	4
4			Guard, Clothing, Full Length - Right	1	1
5			Spring, Torsion w/ Button Lock	1	1
6			Plug, Armrest, Black (3/4") (18GA)	1	2
7			Package, Screw Phillips Pan Head (#10-32 x 1-1/8")	1	2
8			NLA - Pad, Arm, Full Length w/ Law Label	1	1
9			NLA - Bolt, Hex Head Cap (1/4-20 x 3/4")	1	1
10			Spacer, Coved (1/4 x 11/16 x 1/2")	1	1
11			Spring, Release	1	1
12			Insert, Threaded	1	1
1	C,D	8881127568	Kit, Armrest, Full Length, Black - Left (Style 18)	1	1
2			Armrest, Full Length, Black - Left	1	1
3			Screw, Self Tapping (#6-20 x 1/2")	1	4
4			Guard, Clothing, Full Length - Left	1	1
5			Spring, Torsion w/ Button Lock	1	1
6			Plug, Armrest, Black (3/4") (18GA)	1	2
7			Package, Screw Phillips Pan Head (#10-32 x 1-1/8")	1	2
8			NLA - Pad, Arm, Full Length w/ Law Label	1	1
9			NLA - Bolt, Hex Head Cap (1/4-20 x 3/4")	1	1
10			Spacer, Coved (1/4 x 11/16 x 1/2")	1	1
11			Spring, Release	1	1
12			Insert, Threaded	1	1
13	E	8881127509	Kit, Arm Pad w/Screws - Full Length	1	1
7			Package, Screw Phillips Pan Head (#10-32 x 1-1/8")	2	1
8			NLA - Pad, Arm, Full Length w/ Law Label	1	1
13	E	8881127510	Kit, Arm Pad w/Screws - Desk Length	1	1
7			Package, Screw Phillips Pan Head (#10-32 x 1-1/8")	2	1
8			Arm Pad, Desk Length w/ Law Label	1	1

Conventional Fixed Height - Black Finish

NOTE: If your chair was built with a serial # starting with "03H" or "03I", please contact an Invacare Parts Specialist for replacement parts at 1-800-333-6900 Ext. 3722.

Item Number	Note	Part Number	Description	Quantity Per	
				Package	Assembly
14	F	1117365	Kit, Clothing Guard, Conventional, Desk Length w/ Screws and Decals (Pair)	1	1
14	F	1117366	Kit, Clothing Guards - Conventional, Full Length w/ Screws & Decals	1	1
<p>NOTE: A - Removable Arm. B - Includes items 2-8. C - Non-Removable Arm. D - Includes items 2-12. E - Includes items 7 and 8. F - Includes (1) each right and left clothing guard and attaching hardware.</p>					

Conventional Fixed Height - Color Finish



SSM_011B

Conventional Fixed Height - Color Finish

Item Number	Note	Part Number	Description	Quantity Per	
				Package	Assembly
1	A,D	8881182013	Kit, Armrest, Fixed, Removable, Full Length, Color - Right (Style 18)	1	1
2			Armrest, Full Length, Color - Right	1	1
3			Screw, Self Tapping (#6-20 x 1/2")	1	4
4			Guard, Clothing, Full Length - Right	1	1
5			Spring, Torsion w/ Button Lock	1	2
6			Plug, Armrest, Black (3/4") (18GA)	1	2
1	A,D	8881182014	Kit, Armrest, Fixed, Removable, Full Length, Color - Left (Style 18)	1	1
2			Armrest, Full Length, Color - Left	1	1
3			Screw, Self Tapping (#6-20 x 1/2")	1	4
4			Guard, Clothing, Full Length - Left	1	1
5			Spring, Torsion w/ Button Lock	1	2
6			Plug, Armrest, Black (3/4") (18GA)	1	2
1	A,D	8881182121	Kit, Armrest, Fixed, Removable, Desk Length, Color - Right (Style 28)	1	1
2			Armrest, Desk Length, Color - Right	1	1
3			Screw, Self Tapping (#6-20 x 1/2")	1	4
4			NLA - Guard, Clothing, Desk Length - Right	1	1
5			Spring, Torsion w/ Button Lock	1	2
6			Plug, Armrest, Black (3/4") (18GA)	1	2
1	A,D	8881182122	Kit, Armrest, Fixed, Removable, Desk Length, Color - Left (Style 28)	1	1
2			Armrest, Desk Length, Color - Left	1	1
3			Screw, Self Tapping (#6-20 x 1/2")	1	4
4			NLA - Guard, Clothing, Desk Length - Left	1	1
5			Spring, Torsion w/ Button Lock	1	2
6			Plug, Armrest, Black (3/4") (18GA)	1	2
11	B,D	8881180820	Kit, Armrest, Fixed, Non-removable, Full Length, Color - Right	1	1
12			Armrest, Full Length, Color - Right	1	1
13			Screw, Self Tapping (#6-20 x 1/2")	1	4
14			Guard, Clothing, Full Length - Right	1	1
15			Spring, Torsion w/ Button Lock	1	1
16			Plug, Armrest, Black (3/4") (18GA)	1	2
17			Insert, Threaded	1	1
18			Spring, Release	1	1
19			NLA - Bolt, Hex Head Cap (1/4-20 x 3/4")	1	1
20			Spacer, Coved (1/4 x 11/16 x 1/2")	1	1
11	B,D	8881180821	Kit, Armrest, Fixed, Non-removable, Full Length, Color - Left	1	1
12			Armrest, Full Length, Color - Left	1	1
13			Screw, Self Tapping (#6-20 x 1/2")	1	4
14			Guard, Clothing, Full Length - Left	1	1
15			Spring, Torsion w/ Button Lock	1	1
16			Plug, Armrest, Black (3/4") (18GA)	1	2

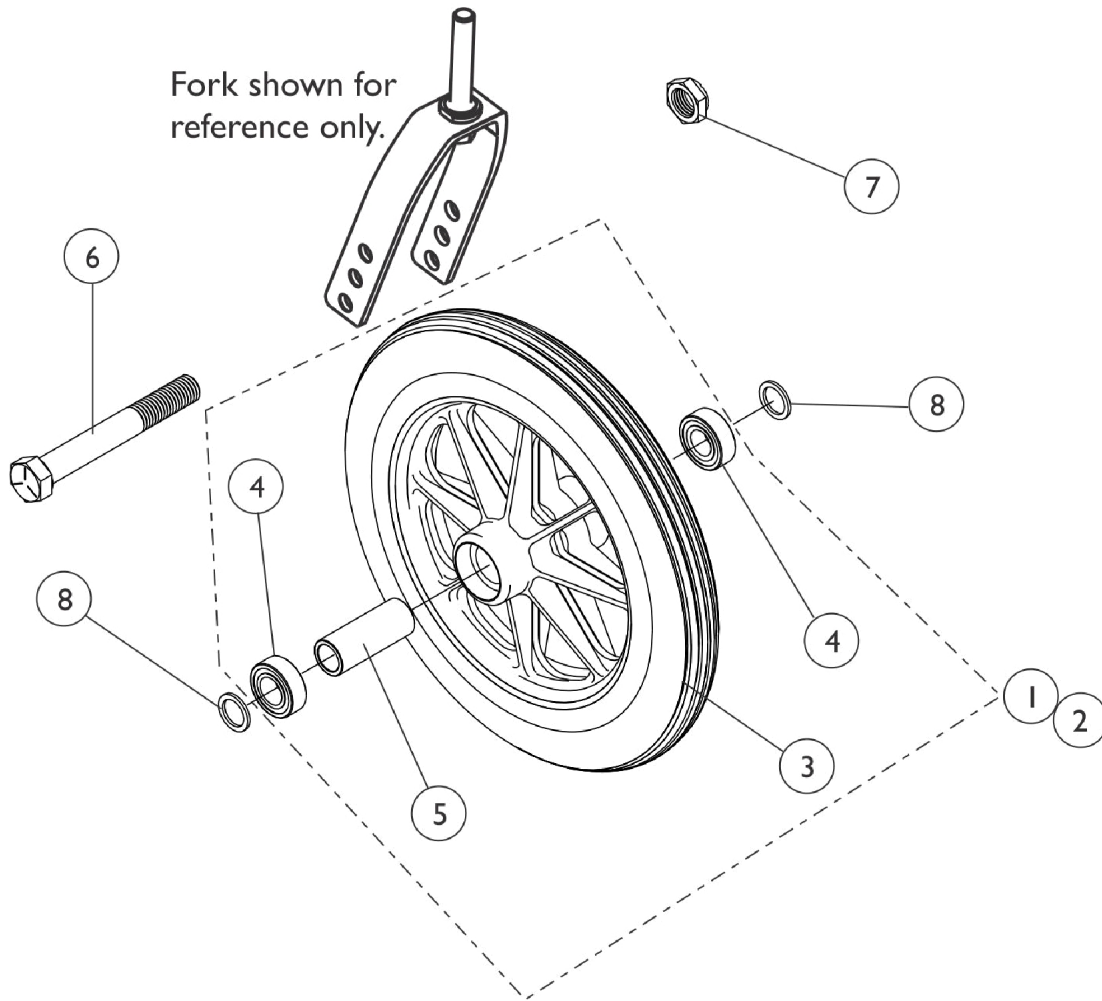
Conventional Fixed Height - Color Finish

Item Number	Note	Part Number	Description	Quantity Per	
				Package	Assembly
17			Insert, Threaded	1	1
18			Spring, Release	1	1
19			NLA - Bolt, Hex Head Cap (1/4-20 x 3/4")	1	1
20			Spacer, Coved (1/4 x 11/16 x 1/2")	1	1
11	B,D	8881122715	Kit, Armrest, Fixed, Non-removable, Desk Length, Color - Right	1	1
12			Armrest, Desk Length, Color - Right	1	1
13			Screw, Self Tapping (#6-20 x 1/2")	1	4
14			Guard, Clothing, Desk Length - Right	1	1
15			Spring, Torsion w/ Button Lock	1	1
16			Plug, Armrest, Black (3/4") (18GA)	1	2
17			Insert, Threaded	1	1
18			Spring, Release	1	1
19			NLA - Bolt, Hex Head Cap (1/4-20 x 3/4")	1	1
20			Spacer, Coved (1/4 x 11/16 x 1/2")	1	1
11	B,D	8881122716	Kit, Armrest, Fixed, Non-removable, Desk Length, Color - Left	1	1
12			Armrest, Desk Length, Color - Left	1	1
13			Screw, Self Tapping (#6-20 x 1/2")	1	4
14			Guard, Clothing, Desk Length - Left	1	1
15			Spring, Torsion w/ Button Lock	1	1
16			Plug, Armrest, Black (3/4") (18GA)	1	2
17			Insert, Threaded	1	1
18			Spring, Release	1	1
19			NLA - Bolt, Hex Head Cap (1/4-20 x 3/4")	1	1
20			Spacer, Coved (1/4 x 11/16 x 1/2")	1	1
25	C	8881127509	Kit, Arm Pad w/Screws - Full Length	1	1
26			Package, Screw Phillips Pan Head (#10-32 x 1-1/8")	2	1
27			NLA - Pad, Arm, Full Length w/ Law Label	1	1
25	C	8881127510	Kit, Arm Pad w/Screws - Desk Length	1	1
26			Package, Screw Phillips Pan Head (#10-32 x 1-1/8")	2	1
27			Arm Pad, Desk Length w/ Law Label	1	1
28	E	1117365	Kit, Clothing Guard, Conventional, Desk Length w/ Screws and Decals (Pair)	1	1
28	E	1117366	Kit, Clothing Guards - Conventional, Full Length w/ Screws & Decals	1	1

NOTE: A - Includes items 2-6.
 B - Includes items 12-20.
 C - Includes items 26 and 27. Specify upholstery color when ordering, see category titled "Frame Finishes, Packaging, Literature and Upholstery".
 D - Specify 71P Silver Vein when ordering.
 E - Kit includes Clothing Guards and Mounting Hardware.

Casters and Mounting Hardware

NOTE: If your chair was built with a serial # starting with "03H" or "03I", please contact an Invacare Parts Specialist for replacement parts at 1-800-333-6900 Ext. 3722.



Casters and Mounting Hardware

NOTE: If your chair was built with a serial # starting with "03H" or "03I", please contact an Invacare Parts Specialist for replacement parts at 1-800-333-6900 Ext. 3722.

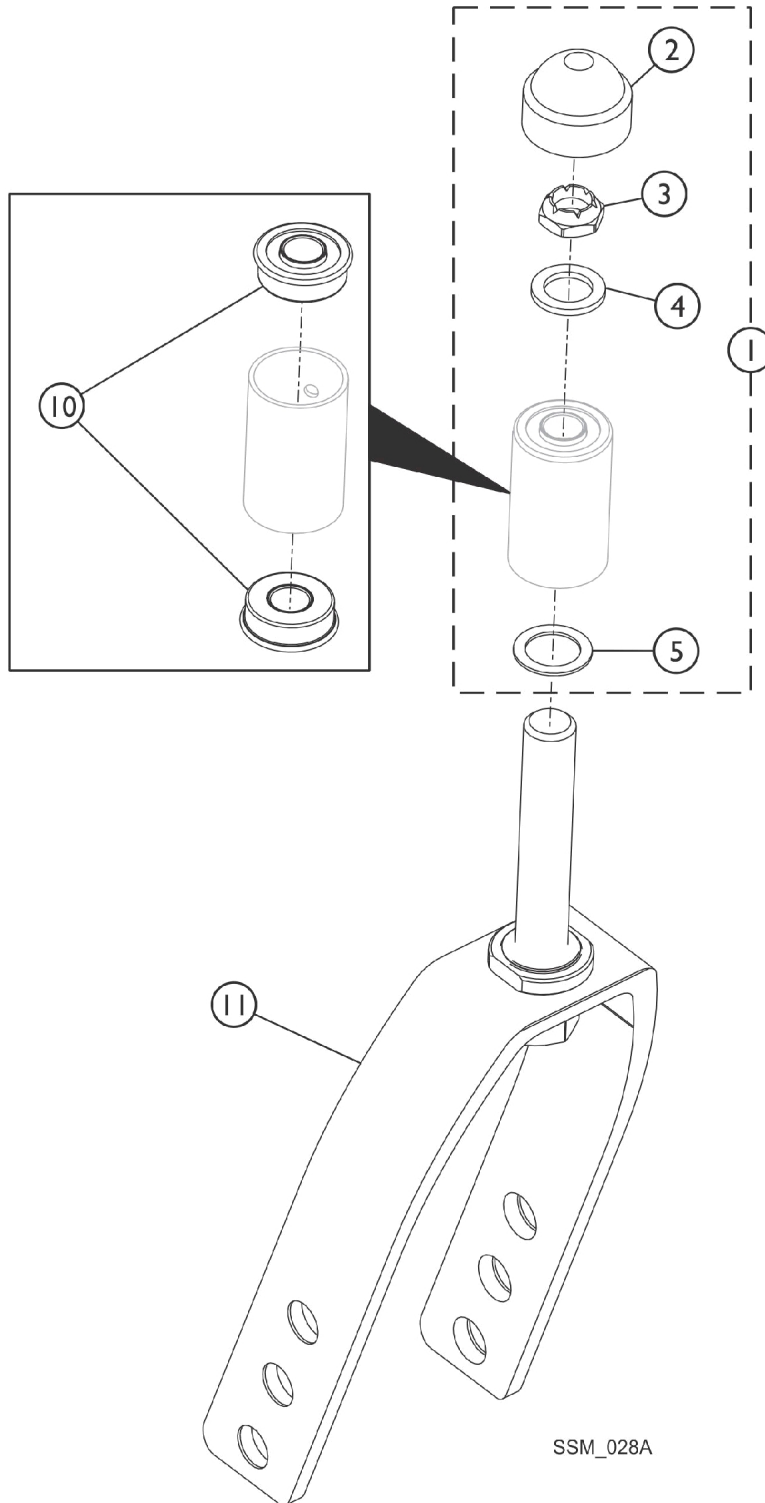
AT903, 1290 & 1228

Item Number	Description	AT903 Composite Urethane (8 x 1-1/4")	1290 Composite Charcoal Grey Solid Rubber (8 x 1")	1228 Composite Semi-Pneumatic (8 x 1-3/4")
1	Wheel Assembly - 1 piece	1058649 See Note(s) A	1086841 See Note(s) A	1070811 See Note(s) C, A
2	Wheel Assembly - 1 pair	N/A	1086842 See Note(s) B	1071666 See Note(s) E, C
3	Tire	1038157	1075458 See Note(s) D	N/A
4	Bearing	1040102	1006049	1006049
5	Hub Spacer	1020592	1018982	1020592
6	Front Axle	57667P007	57667P007	57667P007
7	Locknut, Axle	20225X000	20225X000	20225X000
8	Washer, Axle	N/A	1026101	1016032

NOTE: A - Includes Tire, Tube/Insert, Bearing and Spacer.
 B - Includes (2) Wheel Assemblies item #1 1086841, (2) Front Axles, (2) Locknuts and (4) Axle Washers.
 C - Required for 450lb weight capacity chair.
 D - Due to change in color effective 1/14/05, it is recommended that you order tires in pairs.
 E - Includes (2) ea. of item #11070811.

Forks and Hardware

NOTE: If your chair was built with a serial # starting with "03H" or "03I", please contact an Invacare Parts Specialist for replacement parts at 1-800-333-6900 Ext. 3722.



Forks and Hardware

NOTE: If your chair was built with a serial # starting with "03H" or "03I", please contact an Invacare Parts Specialist for replacement parts at 1-800-333-6900 Ext. 3722.

Item Number	Note	Part Number	Description	Quantity Per	
				Package	Assembly
1	A,D	1089104	Kit, Fork Hardware (Pair)	1	1
2			Cap, Head Tube, Black	1	1
3			Locknut (1/2-20)	1	1
4			Washer, Nylon (5/8 x 1 x 3/32")	1	1
5			Washer, Steel (17/32 x 3/4 x 1/32")	1	1
2	D	1001843	Cap, Head Tube, Black	1	1
2	D	1131189	Package, Head Tube Cap	10	1
1	E	1194269	Kit, Fork Hardware (Pair)	1	1
2			Cap, Head Tube, Black	1	2
3			Locknut (1/2-20)	1	2
2	F	1192854	Cap, Head Tube, Black	1	1
10	D	1001801	Bearing, Flange (1/2")	1	2
10	F	1192848	Bearing, Flange (5/8")	1	2
11	B,D	1089103	Fork and Stem, Aluminum, Black (8" Caster)	1	1
11	B,F	1194266	Fork and Stem, Aluminum, Black (8" Caster)	1	1

NOTE: A - Includes Items 2-5.
 B - Invacare recommends ordering the fork in a quantity of 2.
 D - Before 10/12/16 bearing size was 1/2" (Before 02/21/17 applies to stock models T4_WCB22 and T4_WCB24 only).
 E - After 10/11/16 bearing size changed to 5/8" (After 02/20/17 applies to stock models T4_WCB22 and T4_WCB24 only).
 Includes items 2 and 3. Item 4 and 5 not used After 10/11/16 and (After 02/20/17 for stock models T4_WCB22 and T4_WCB24 only).
 F - After 10/11/16.

Rear Wheels

NOTE: If your chair was built with a serial # starting with "03H" or "03I", please contact an Invacare Parts Specialist for replacement parts at 1-800-333-6900 Ext. 3722.

Model Number	Wheel Style	Single Wheel Assembly	Tire	Tube/Insert	Bearing	Bearing Spacer
U2222C	Composite Corded Urethane (24 x 1") 5/8" Axle (9-Spoke)	1121043 See Note(s) A	1118209 See Note(s) C	N/A	40117X006	1019695-NLA
5244BK	Composite Pneumatic w/Flat Free Insert (24 x 1-3/8") 5/8" Axle (7-Spoke)	1045281 See Note(s) B, A	40176X060	1045280	40117X006	1019695-NLA
U2244BK	Composite Urethane (24 x 1-1/4") 5/8" Axle (7-Spoke)	1034130 See Note(s) A	1026904	N/A	40117X006	1019695-NLA

NOTE: A - Includes Tire, Tube/Insert, Bearing and Spacer.
 B - Required for 450lb weight capacity.
 C - Corded Tires maybe more difficult to stretch over the wheel rim. The complete wheel assembly that has the tire and wheel rim preassembled maybe advisable

NOTE: Effective 3/27/06, the U2222 wheel assembly is no longer available for this model.

Rear Wheel and Handrim Assemblies - 24" Wheel with 5/8" Axle

Wheel Style	Description	Part Number
U2222C	Assembly, Wheel 24", 5/8" Axle, Composite Urethane - Composite Handrim	1133298 See Note(s) A

NOTE: A - Non-Corded Tire 24 x 1" Low Profile Urethane Tire was replaced with a Corded Tire as of 11/16/09. For chairs manufactured before 11/16/09, it is recommended to order (2) ea. in quantity to match

Wheel Conversion Kits

Part Number	Description	Quantity
1121459 See Note(s) A	Kit, 350Lb Wheel Package (T4)	1 Pair
1121460 See Note(s) B	Kit, 450Lb Wheel Package (T4)	1 Pair

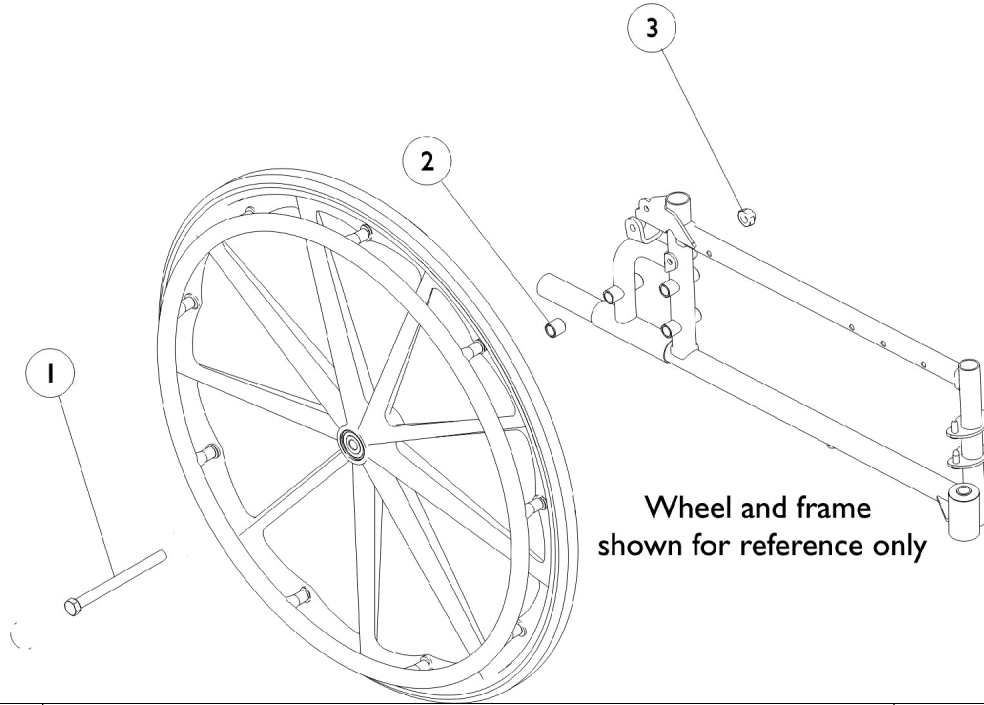
Rear Wheels

NOTE: If your chair was built with a serial # starting with "03H" or "03I", please contact an Invacare Parts Specialist for replacement parts at 1-800-333-6900 Ext. 3722.

NOTE: A - Kit contains 2 - U2222C Wheel assemblies with Alum. Clear Anodized Handrims, 2 - AT903 Caster assemblies and a 350lb weight capacity decal.
B - Kit contains 2 - 5244BK Wheel assemblies with Alum. Clear Anodized Handrims, 2 - 1228 Caster assemblies and a 450lb weight capacity decal.

Rear Wheel Hardware

NOTE: If your chair was built with a serial # starting with "03H" or "03I", please contact an Invacare Parts Specialist for replacement parts at 1-800-333-6900 Ext. 3722.



Item Number	Note	Part Number	Description	Quantity Per	
				Package	Assembly
1		47203X020	Axle (5/8-18 x 4-3/4")	1	1
2		47183X021	Spacer (5/8 x 7/8 x 3/4")	1	1
3		60030X000	Locknut (5/8-18)	1	1
	A	1034111	Wheel Hardware - Rear	1	1

NOTE: A - Includes items 1-3.

Non-Projection Handrims and Attaching Hardware

NOTE: If your chair was built with a serial # starting with "03H" or "03I", please contact an Invacare Parts Specialist for replacement parts at 1-800-333-6900 Ext. 3722.

As of 8/11/15 Chrome Handrims were replaced by Alum. Clear Anodized and Steel Black 34P was replaced by Alum. Black Anodized Handrims.

Composite (COM)

Wheel Style	Wheel Type	Handrim Only	Attaching Points	Attaching Hardware Kit
5244BK	24" Heavy Duty Composite Pneumatic w/Flat Free Insert	1064036	7	1065790 See Note(s) A
U2222	24" Composite Urethane Tire	1063919	9	1042074 See Note(s) A
U2222C	24" Composite Urethane Tire	1063919	9	1042074
NOTE: A - Hardware kit contains hardware for (1) handrim. See category titled, "Non-Projection Handrims Attaching Hardware" for more details.				

Chrome Plated (CHDRM)

Wheel Style	Wheel Type	Handrim Only	Attaching Points	Attaching Hardware Kit
U2222	24" Composite Urethane Tire	1055272-NLA	6	1042074 See Note(s) A
U2222C	24" Composite Urethane Tire	1055272-NLA	6	1042074 See Note(s) A
U2222BK	24" Composite Urethane Tire	1055272-NLA	6	1042074 See Note(s) A
U2244BK	24" Composite Urethane w/Treaded Tire	1054966	7	1025153 See Note(s) A
5244BK	24" Heavy-Duty Composite Pneumatic w/ Flat Free Insert	1054966	7	1025153 See Note(s) A
NOTE: A - Hardware kit contains hardware for (1) handrim. See category titled, "Non-Projection Handrims Attaching Hardware" for more details.				
As of 8/11/15 Chrome Handrims were replaced by Alum. Clear Anodized and Alum. Black 34P was replaced by Alum. Black Anodized Handrims.				

Non-Projection Handrims and Attaching Hardware

NOTE: If your chair was built with a serial # starting with "03H" or "03I", please contact an Invacare Parts Specialist for replacement parts at 1-800-333-6900 Ext. 3722.

As of 8/11/15 Chrome Handrims were replaced by Alum. Clear Anodized and Steel Black 34P was replaced by Alum. Black Anodized Handrims.

Aluminum - Clear Anodized

Wheel Style	Wheel Type	Handrim Only	Attaching Points	Attaching Hardware Kit
U2222	24" Composite Urethane Tire	1183681	6	1042074 See Note(s) A
U2222C	24" Composite Urethane Tire	1183681	6	1042074 See Note(s) A
U2222BK	24" Composite Urethane Tire	1183681	6	1042074 See Note(s) A
U2244BK	24" Composite Urethane w/Treaded Tire	1183680	7	1025153 See Note(s) A
5244BK	24" Heavy-Duty Composite Pneumatic w/ Flat Free Insert	1183680	7	1025153 See Note(s) A

NOTE: A - Hardware kit contains hardware for (1) handrim. See category titled, "Non-Projection Handrims Attaching Hardware" for more details.

Steel - Flat Black 34P

Wheel Type	Handrim Only	Attaching Points	Attaching Hardware Kit
U2222 24" Composite Urethane Tire	1120063-NLA See Note(s) B	6	1042074 See Note(s) A
U2222C	1120063-NLA See Note(s) B	6	1042074 See Note(s) A
U2244BK 24" Composite Urethane Treaded Tire	1119821-NLA See Note(s) C	7	1025153 See Note(s) A
5244BK 24" Heavy Duty Composite w/Flat Free Insert	1119821-NLA See Note(s) C	7	1025153 See Note(s) A

NOTE: A - Hardware kit contains enough hardware for (1) handrim. See category titled, "Non-Projection Handrims Attaching Hardware" for more details.
B - NLA. See Black Anodized Handrim Chart and order part #1186220.
C - NLA. See Black Anodized Handrim Chart and order part #1186219.

NOTE: When replacing handrims for chairs built before 12/17/99 order in pairs. Handrim color has changed from Pewter to Flat Black.
NOTE: As of 8/11/15 Chrome Handrims were replaced by Alum. Clear Anodized and Alum. Black 34P was replaced by Alum. Black Anodized Handrims.

Non-Projection Handrims and Attaching Hardware

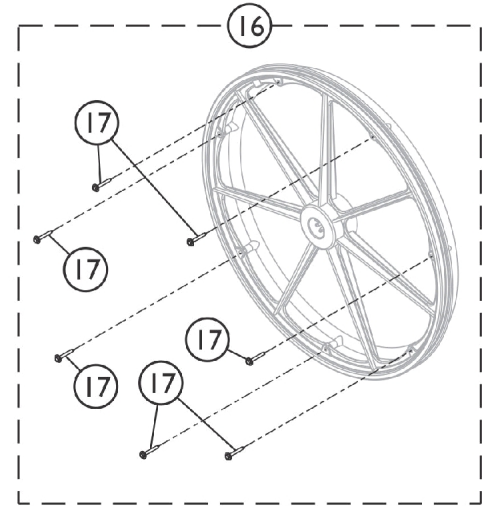
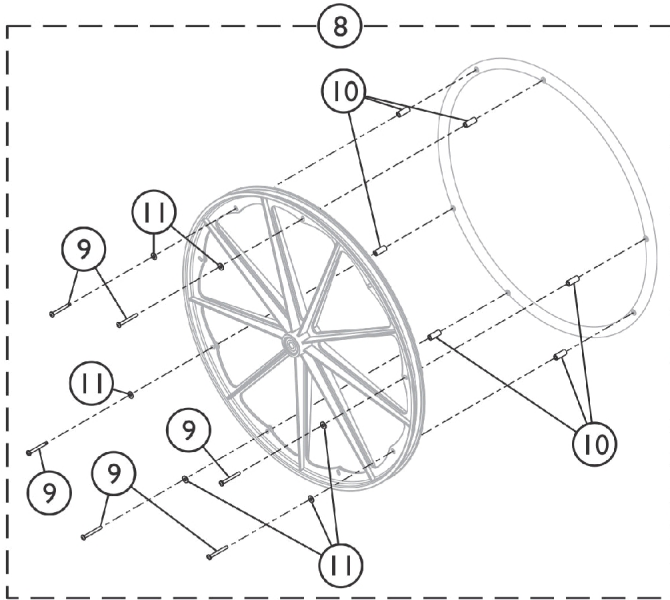
NOTE: If your chair was built with a serial # starting with "03H" or "03I", please contact an Invacare Parts Specialist for replacement parts at 1-800-333-6900 Ext. 3722.

As of 8/11/15 Chrome Handrims were replaced by Alum. Clear Anodized and Steel Black 34P was replaced by Alum. Black Anodized Handrims.

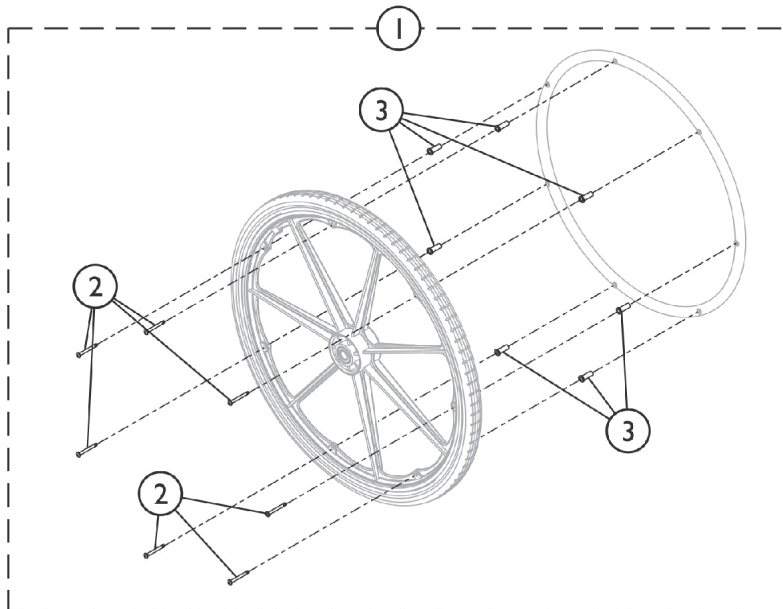
Aluminum - Black Anodized

Wheel Type	Handrim Only	Attaching Points	Attaching Hardware Kit
U2222 24" Composite Urethane Tire	1186220	6	1042074 See Note(s) A
U2222C	1186220	6	1042074 See Note(s) A
U2244BK 24" Composite Urethane Treaded Tire	1186219	7	1025153 See Note(s) A
5244BK 24" Heavy Duty Composite w/Flat Free Insert	1186219	7	1025153 See Note(s) A
NOTE: A - Hardware kit contains enough hardware for (1) handrim. See category titled, "Non-Projection Handrims Attaching Hardware" for more details.			

Non-Projection Handrim Attaching Hardware



SSM_034A



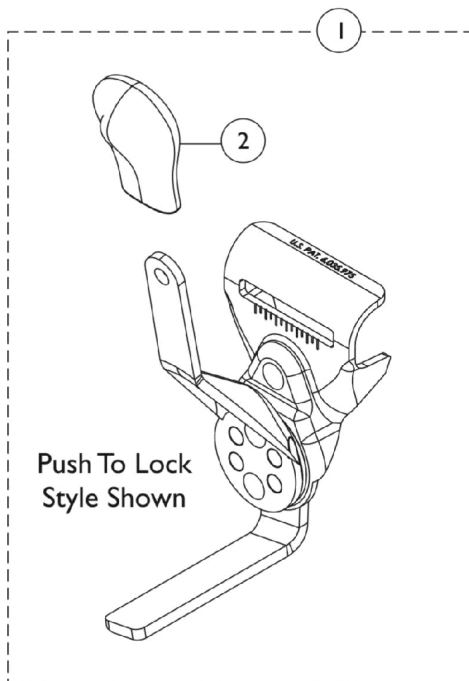
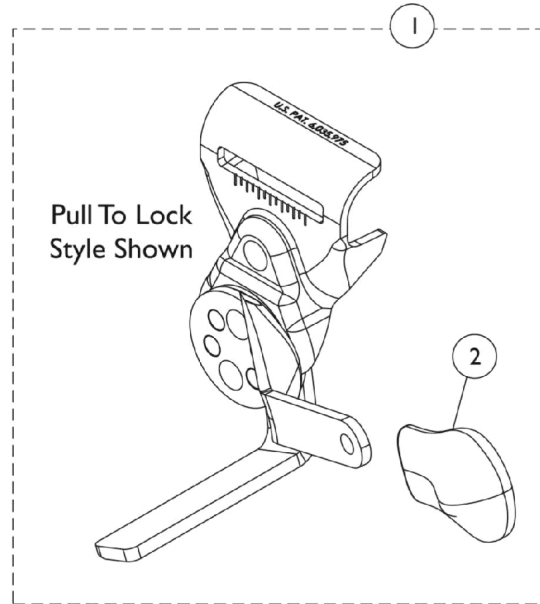
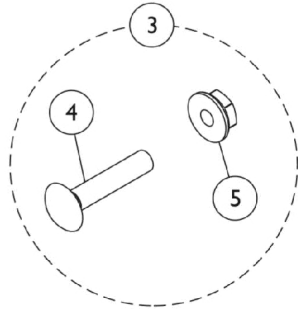
Non-Projection Handrim Attaching Hardware

Item Number	Note	Part Number	Description	Quantity Per	
				Package	Assembly
1	A	1025153	Hardware, Handrim Attaching - 7 PT	1	1
2		1007375	Screw, Phillips Pan Head w/ Patch (#10-32 x 1-3/4")	1	7
3		1016438	Spacer (1/4 x 11/32 x 15/16")	1	7
8	B	1042074	Hardware, Handrim Attaching - 6 PT.	1	1
9		1007375	Screw, Phillips Pan Head w/ Patch (#10-32 x 1-3/4")	1	6
10		1012649	Spacer (3/16 x 3/8 x 15/16")	1	6
11		1013218	Washer (#10 Flat)	1	6
16	C	1065790	Hardware, Handrim Attaching - 7 PT.	1	1
17		1098755	Screw, Hex Head SEMS (#8-10 x 1-1/2")	1	7

NOTE: A - Includes items 2 and 3.
 B - Includes items 9-11.
 C - Includes item 17.

Disk Style Wheel Locks (Before 4/15/07)

NOTE: If your chair was built with a serial # starting with "03H" or "03I", please contact an Invacare Parts Specialist for replacement parts at 1-800-333-6900 Ext. 3722.



Disk Style Wheel Locks (Before 4/15/07)

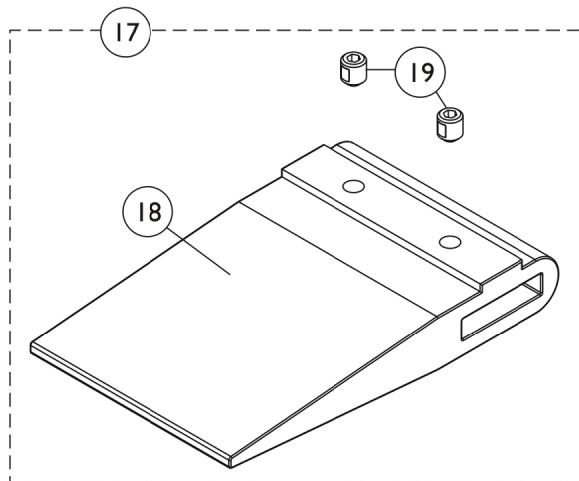
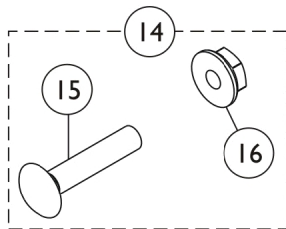
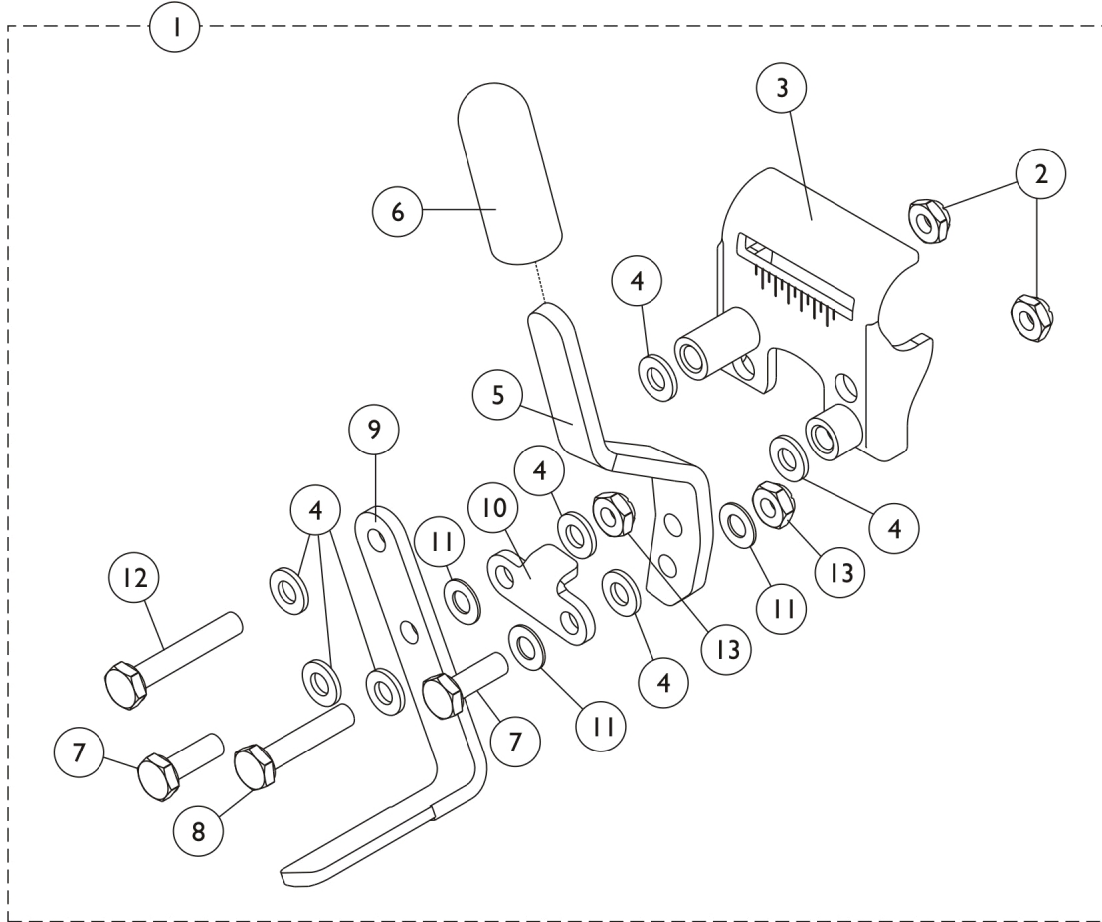
NOTE: If your chair was built with a serial # starting with "03H" or "03I", please contact an Invacare Parts Specialist for replacement parts at 1-800-333-6900 Ext. 3722.

Item Number	Note	Part Number	Description	Quantity Per	
				Package	Assembly
1	C,F,F1	1110225-NLA	NLA - Wheel Lock Assembly, Disk Push to Lock, Black - Right	1	1
1	C,F,F1	1110226-NLA	NLA - Wheel Lock Assembly, Disk Push to Lock, Black - Left	1	1
1	D,F,F1	1110227-NLA	NLA - Wheel Lock Assembly, Disk Pull to Lock, Black - Right	1	1
1	D,F,F1	1110228-NLA	NLA - Wheel Lock Assembly, Disk Pull to Lock, Black - Left	1	1
2	E	1110160-NLA	NLA - Tip, Plastic Wheel Lock Handle, Black	1	1
3	A	1017677	Kit, Hardware, Wheel Lock (Pair)	1	1
4			Nut, Hex Flang (1/4-20)	1	2
5			Bolt, Carriage (1/4-20 x 1-1/4")	1	2
	B,E,G	1058900	Wheel Lock Extension Handle Assembly, Black (8")	1	1
	B,C,G	1101452	Wheel Lock Assembly, Push to Lock, Black - Right	1	1
	B,C,G	1101453	Wheel Lock Assembly, Push to Lock, Black - Left	1	1
	B,D,G	1101454	Wheel Lock Assembly, Pull to Lock, Black - Right	1	1
	B,D,G	1101455	Wheel Lock Assembly, Pull to Lock, Black - Left	1	1

NOTE: A - Includes items 4 and 5 each with a quantity of 2.
 B - Not shown.
 C - Standard on Adult Seat to Floor models.
 D - Standard on Hemi Seat to Floor models.
 E - Used on Disk-Style Wheel Locks.
 F - Disk Style Wheel Locks are no longer available as a Service Part. Must convert to Link-Pivot Style Wheel Locks listed. Order Right/Left side to match. Can use existing attaching hardware.
 F1 - Additional Wheel Lock information can be found under category titled "Wheel Locks - Link-Pivot Style (After 4/14/07)".
 G - Link-Pivot Style Wheel Locks

Link-Pivot Style Wheel Locks (After 4/14/07)

NOTE: Due to the possibility of various manufacturing dates for Tracer IV Wheelchairs built with a serial # starting with "03H" or "03I", replacement parts will need to be ordered thru an Invacare Parts Specialist at 1-800-333-6900.



Link-Pivot Style Wheel Locks (After 4/14/07)

NOTE: Due to the possibility of various manufacturing dates for Tracer IV Wheelchairs built with a serial # starting with "03H" or "03I", replacement parts will need to be ordered thru an Invacare Parts Specialist at 1-800-333-6900.

Item Number	Note	Part Number	Description	Quantity Per	
				Package	Assembly
1	A,G	1101452	Wheel Lock Assembly, Push to Lock, Black - Right	1	1
1	A,G	1101453	Wheel Lock Assembly, Push to Lock, Black - Left	1	1
1	A,H	1101454	Wheel Lock Assembly, Pull to Lock, Black - Right	1	1
1	A,H	1101455	Wheel Lock Assembly, Pull to Lock, Black - Left	1	1
2		1025195	Locknut (1/4-20)	1	2
3		1053284	Bracket, Mounting, Black - Right	1	1
3		1053285	Bracket, Mounting, Black - Left	1	1
4		1026033	Washer, Nylon (1/4 x 1/2 x 1/16")	1	7
5		1031780-NLA	NLA - Handle, Pull/ Lock, Black - Right	1	1
5		1031781-NLA	NLA - Handle, Pull/ Lock, Black - Left	1	1
5		1102134	Handle, Push/ Lock, Black - Right	1	1
5		1102135	Handle, Push/ Lock, Black - Left	1	1
6		47376X024	Tip, Rubber Wheel Lock Handle, Black	1	1
7		1028687	Screw, Hex Head (1/4-28 x 3/4")	1	2
8		1021406	Screw, Hex Head (1/4-20 x 1-1/4")	1	1
9		1102133	Shoe, Wheel Lock	1	1
10		1102132-NLA	NLA - Link, Black	1	1
11		1026103-NLA	NLA - Washer, Nylon (1/4 x 1/2 x 1/32")	1	3
12		1030949	Screw, Hex Head (1/4-20 x 1-1/2")	1	1
13		1025765	Locknut (1/4-28)	1	2
14	E	1017677	Kit, Hardware, Wheel Lock (Pair)	1	1
15			Bolt, Carriage (1/4-20 x 1-1/4")	1	2
16			Nut, Hex Flang (1/4-20)	1	2
17	B,C	1067279	Kit, Wheel Lock Shoe Spacer	1	1
18			Spacer, Wheel Lock Shoe (2-7/16")	1	1
19			Screw, Set Socket Cup Point (#8-32 x 3/16")	1	2
17	C,D	1048656	Kit, Wheel Lock Shoe Spacer	1	1
18			Spacer, Wheel Lock Shoe (1-45/64")	1	1
19			Screw, Set Socket Cup Point (#8-32 x 3/16")	1	2
	F	1058900	Wheel Lock Extension Handle Assembly, Black (8")	1	1

NOTE: A - Includes items 2-13.
 B - Required for Chairs with 20" Rear Wheels and Amputee Attachments or SX5 Recliners with 24" Rear Wheels.
 C - Includes items 15-16.
 D - Required for Chairs with 20" Rear Wheels (no Amputee Attachments) or 22" Rear Wheels with Amputee Attachments.
 E - Includes items 18 and 19.
 F - Not shown. Includes: 1 each Extension Handle and Rubber Tip. Chrome is No Longer Available.
 G - Standard on Adult Seat to Floor models
 H - Standard on Hemi Seat to Floor models

Calf Pads

NOTE: If your chair was built with a serial # starting with "03H" or "03I", please contact an Invacare Parts Specialist for replacement parts at 1-800-333-6900 Ext. 3722.

Part Number	Description	Quantity
8881091819 See Note(s) A	Legrest Pad with Hardware	1
1091800 See Note(s) A	Legrest Pad (Plastic) with Hardware	1
40163X008	Screw, Phillips Head (#10-32 x 1 1/16")	2
NOTE: A - Specify upholstery color when ordering. See Category titled "Upholstery Colors."		

Footrest and Legrest Accessories

NOTE: If your chair was built with a serial # starting with "03H" or "03I", please contact an Invacare Parts Specialist for replacement parts at 1-800-333-6900 Ext. 3722.

H-Strap & Calf Strap

Part Number	Description	Package Quantity
1032002	H-Strap - 18" Wide Chairs	1
1032001	H-Strap - 20-22" Wide Chairs	1
1068609-NLA	Heel Strap (22 - 24" Wide)	1
1121290	Calf Strap - 18" W	1
1102745	Calf Strap - 20" W	1
1102746	Calf Strap - 22" W	1
1102747	Calf Strap - 24" W	1

Non-Removable Device

Part Number	Description
1143050	Non-Removable Device

Footrest and Legrest Accessories

NOTE: If your chair was built with a serial # starting with "03H" or "03I", please contact an Invacare Parts Specialist for replacement parts at 1-800-333-6900 Ext. 3722.

Heel Loops

Part Number	Description	Package Quantity
1035917-NLA See Note(s) A	Heel Loops, 16-24" Wide Chairs w/Composite Footplates	1 pair
1035929 See Note(s) A	Heel Loops w/ Ankle Straps, 16-24" Wide Chairs w/Aluminum Footplates	1 pair
1035918 See Note(s) A	Heel loops w/Ankle Straps, 16-24" W Chairs	1 pair
1035926	Attaching Hardware for Aluminum Footplates	1 pair
1035927	Attaching Hardware for Composite Footplates	1 pair
NOTE: A - Does not include hardware.		

Front Riggings - Bolt Through and Spring Button Kits

NOTE: If your chair was built with a serial # starting with "03H" or "03I", please contact an Invacare Parts Specialist for replacement parts at 1-800-333-6900 Ext. 3722.

Bolt Through & Spring Button Kits

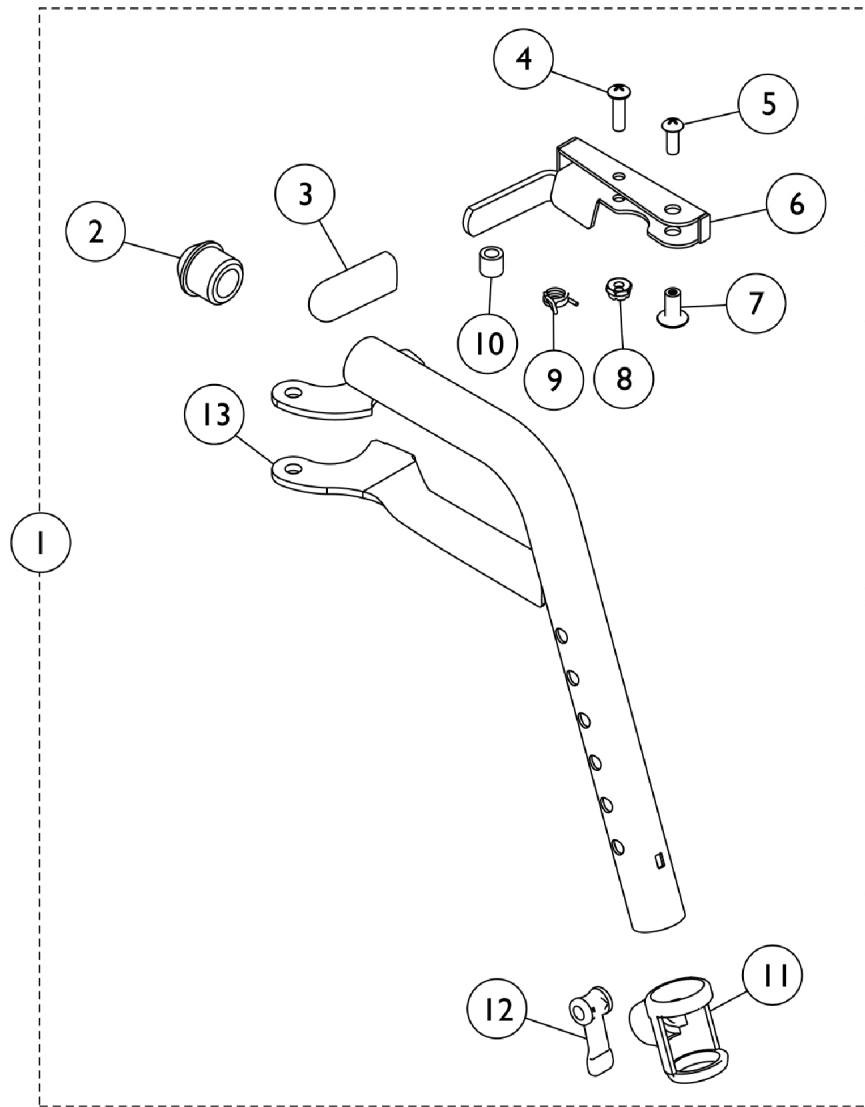
Style	Part Number	Quantity per Package	Quantity Per Footrest (pair)	Quantity Per Legrest (pair)
Spring Button Hardware Kit	1188335 See Note(s) A	2	2	4
Bolt Through Hardware Kit	1101776 See Note(s) A	2	2	2
Tool Kit	1058407 See Note(s) B	1	N/A	N/A

NOTE: A - Kit includes 2 ea. Double Spring Buttons
 B - Kit includes (2) Hex Keys and (2) Wrenches. The Bolt Thru Hardware uses the Tool Kit for installation.

Footrest Support Assembly

T93H Series Before 5/16/19

NOTE: If your chair was built with a serial # starting with "03H" or "03I", please contact an Invacare Parts Specialist for replacement parts at 1-800-333-6900 Ext. 3722.



Footrest Support Assembly

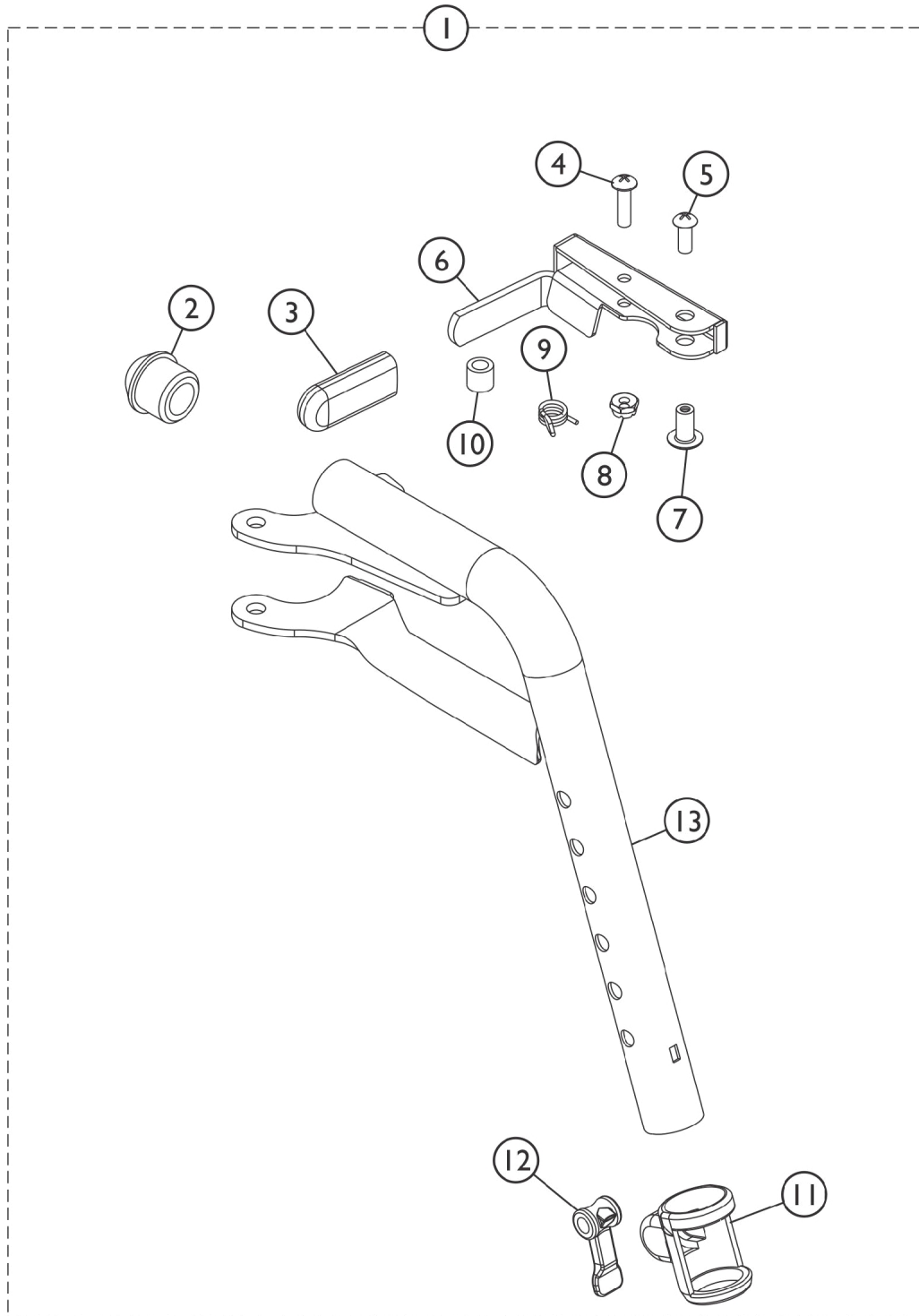
T93H Series Before 5/16/19

NOTE: If your chair was built with a serial # starting with "03H" or "03I", please contact an Invacare Parts Specialist for replacement parts at 1-800-333-6900 Ext. 3722.

Item Number	Note	Part Number	Description	Quantity Per	
				Package	Assembly
1	A	1111274	Footrest Support Assembly, Hemi, Black - Right	1	1
1	A	1111275	Footrest Support Assembly, Hemi, Black - Left	1	1
1	B	8881180774	Footrest Support Assembly, Hemi, Color - Right	1	1
1	B	8881180775	Footrest Support Assembly, Hemi, Color - Left	1	1
2		1020719	Anti-Rattle, Black	1	1
3		1006490-NLA	NLA - Tip, Plastic, Black	1	1
4		40163X008	Screw, Phillips Pan Head (#10-32 x 11/16")	1	1
5		40163X002	Screw, Phillips Round Head (#10-32 x 1/2")	1	1
6	C,D	1110176-NLA	NLA - Handle, Release, Chrome - Right	1	1
6	C,D	1110177-NLA	NLA - Handle, Release, Chrome - Left	1	1
6	E	1110178	Handle, Release, Black - Right	1	1
6	E	1110179	Handle, Release, Black - Left	1	1
7		67005X000	Rivnut (#10-32)	1	1
8		60279X003	Locknut (#10-32)	1	1
9		1008935	Spring, Release - Right	1	1
9		1008936	Spring, Release - Left	1	1
10		47565X057	Bushing (7/32 x 3/8 x 11/32")	1	1
11		1048085	Housing, Cam	1	1
12		1048086	Lever, Cam, Black	1	1
13	C,D	1111270-NLA	NLA - Tube, Footrest Support, Hemi, Chrome - Right	1	1
13	C,D	1111271-NLA	NLA - Tube, Footrest Support, Hemi, Chrome - Left	1	1
13	E	1111268	Tube, Footrest, Support, Hemi, Black - Right	1	1
13	E,F	1111269	NLA - Tube, Footrest, Support, Hemi, Black - Left	1	1

NOTE: A - Includes Items 2-13. After 10/14/14 color changed from Chrome to Black. It is recommended to order both the right and left side to match.
 B - Includes items 2-13. Specify 71P Silver Vein frame finish when ordering.
 C - Item #6 and 13 are not available for sale on color frame models. See item #1 as a replacement.
 D - Before 10/15/14 color was Chrome.
 E - After 10/14/14 color is Black.
 F - Item #13 part number 1111269 is no longer available. Order item #1 as a replacement.

Front Riggings - Footrest Support Assembly T93H Series After 5/15/19



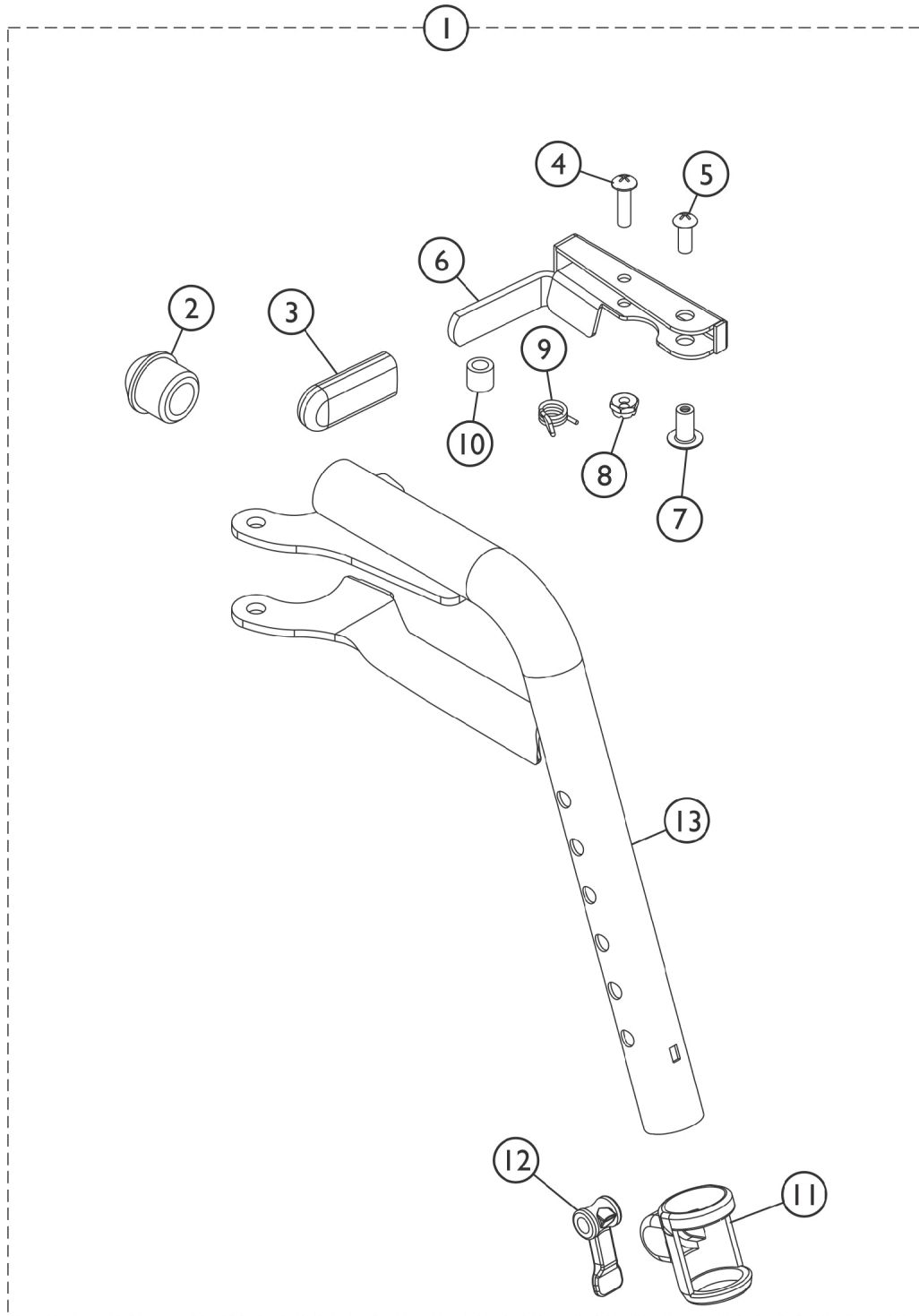
SSM_038A

Front Riggings - Footrest Support Assembly T93H Series After 5/15/19

Item Number	Note	Part Number	Description	Quantity Per	
				Package	Assembly
1	A,B	1192525	Footrest Support Assembly, Hemi, Black - Right	1	1
1	A,B	1192526	Footrest Support Assembly, Hemi, Black - Left	1	1
2		1020719	Anti-Rattle, Black	1	1
3		1006490-NLA	NLA - Tip, Plastic, Black	1	1
4		1025716	Screw, Phillips Pan Head (#10-32 x 11/16")	1	1
5		1026114	Screw, Phillips Pan Head (#10-32 x 1/2")	1	1
6		1180757	Handle, Release, Black - Right	1	1
6		1180758	Handle, Release, Black - Left	1	1
7		1028846	NLA - Rivnut (#10-32)	1	1
8		1025735	Locknut (#10-32)	1	1
10		47565X057	Bushing (7/32 x 3/8 x 11/32")	1	1
11		1048085	Housing, Cam	1	1
12		1048086	Lever, Cam, Black	1	1

NOTE: A - Includes Items 2 thru 13. Item #9 is not available. Order item #1 as a replacement.
B - NOTE: Footrest Support Tube item #13 is not available, order item #1 as a replacement.

Front Riggings - Footrest Support Assembly GT93H Series



SSM_038A

Front Riggings - Footrest Support Assembly GT93H Series

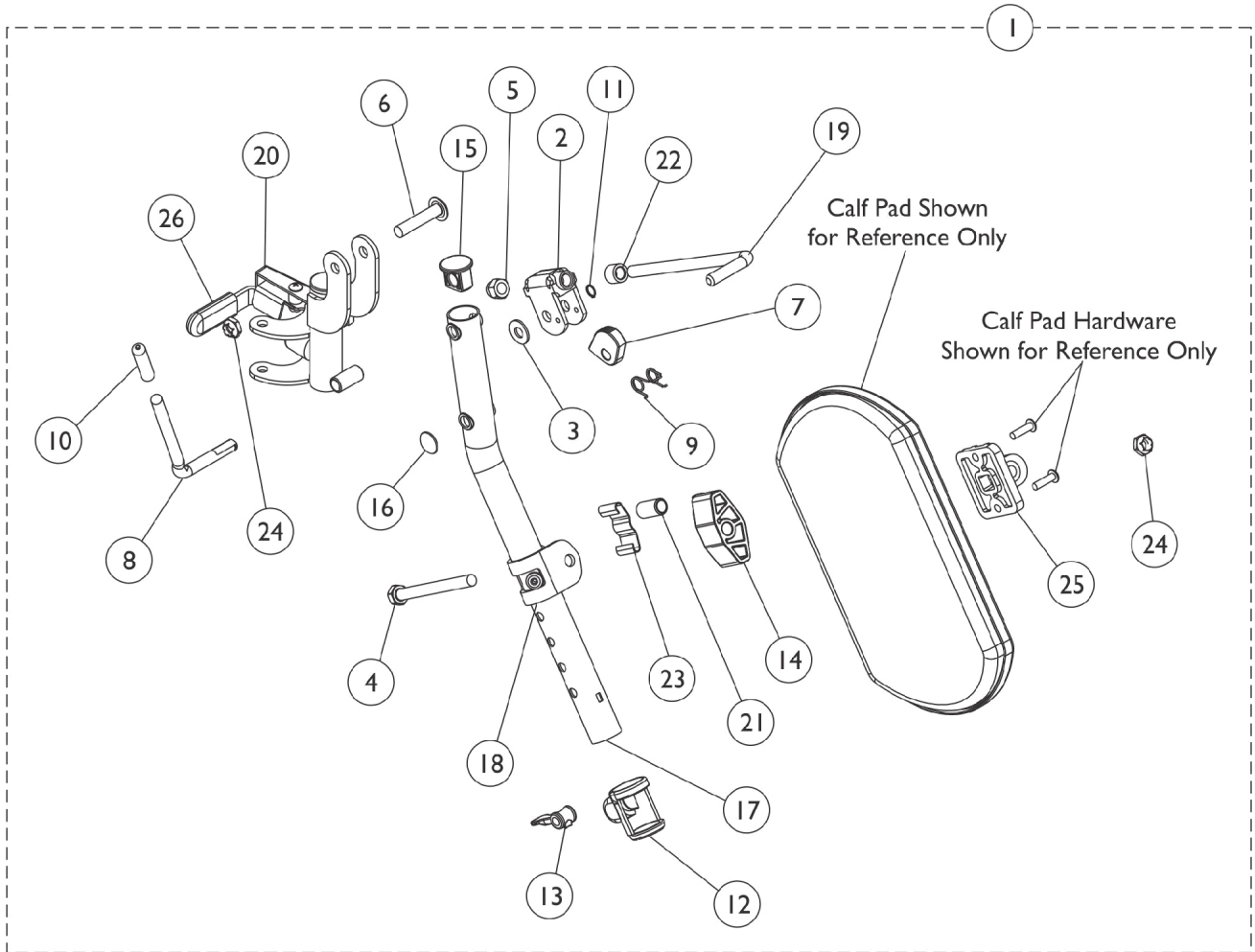
Item Number	Note	Part Number	Description	Quantity Per	
				Package	Assembly
1	A,B,C	8881194312	Footrest Support Assembly, Hemi, Color - Right	1	1
1	A,B,C	8881194310	Footrest Support Assembly, Hemi, Color - Left	1	1
1	A,B	1192525	Footrest Support Assembly, Hemi, Black - Right	1	1
1	A,B	1192526	Footrest Support Assembly, Hemi, Black - Left	1	1
2		1020719	Anti-Rattle, Black	1	1
3		1006490-NLA	NLA - Tip, Plastic, Black	1	1
4		1025716	Screw, Phillips Pan Head (#10-32 x 11/16")	1	1
5		1026114	Screw, Phillips Pan Head (#10-32 x 1/2")	1	1
6		1110178	Handle, Release, Black - Right	1	1
6		1110178	Handle, Release, Black - Right	1	1
7		1028846	NLA - Rivnut (#10-32)	1	1
8		1025735	Locknut (#10-32)	1	1
10		47565X057	Bushing (7/32 x 3/8 x 11/32")	1	1
11		1048085	Housing, Cam	1	1
12		1048086	Lever, Cam, Black	1	1

NOTE: A - Includes Items 2 thru 13. Item #9 is not available. Order item #1 as a replacement.
 B - NOTE: Footrest Support Tube item #13 is not available, order item #1 as a replacement.
 C - Specify 71P Silver Vein Frame Finish when ordering.

Legrest Support Assembly

T94H Series Before 5/16/19

NOTE: If your chair was built with a serial # starting with "03H" or "03I", please contact an Invacare Parts Specialist for replacement parts at 1-800-333-6900 Ext. 3722.



Legrest Support Assembly T94H Series Before 5/16/19

NOTE: If your chair was built with a serial # starting with "03H" or "03I", please contact an Invacare Parts Specialist for replacement parts at 1-800-333-6900 Ext. 3722.

Item Number	Note	Part Number	Description	Quantity Per	
				Package	Assembly
1	F,A	1110338	Legrest Support Assembly, Hemi, Black - Right	1	1
1	F,A	1110339	Legrest Support Assembly, Hemi, Black - Left	1	1
1	A	1110336	Legrest Support Assembly, Hemi, Black - Right	1	1
1	A	1110337	Legrest Support Assembly, Hemi, Black - Left	1	1
1	D,A	8881180761	Legrest Support Assembly, Hemi, Color - Right	1	1
1	D,A	8881180762	Legrest Support Assembly, Hemi, Color - Left	1	1
2		04528X002	Bracket, Release, Black	1	1
2		1110308	Bracket, Release, Black	1	1
3		1013519	Washer, Nylon (5/16 x 11/16 x 1/16")	1	1
4		1014807	Screw, Hex Head (5/16-24 x 3-1/4")	1	1
5		10261X000	Nut, Acorn (5/16-24)	1	1
6		1030948	Screw, Slotted Truss Head (5/16-24 x 1-1/2")	1	1
7		1037125	Cam, Legrest	1	1
8		1037126	Handle, Release	1	1
9		1037485	Spring, Release	1	1
10		1040060	Tip, Plastic, Black	1	1
11		1040831	Ring, Snap	1	1
12		1048085	Housing, Cam	1	1
13		1048086	Lever, Cam, Black	1	1
14		1091220	Spacer, Legrest	1	1
15		1095433	Plug Button, Black (7/8")	1	1
16	B	1096773	Nut, Push Dome (5/16")	1	1
17	E,B	1110165-NLA	NLA - Tube, Elevating Support, Chrome - Right	1	1
17	E	1110166-NLA	NLA - Tube, Elevating Support, Chrome - Left	1	1
17	B	1110163	Tube, Elevating Support, Black - Right	1	1
17		1110164	NLA - Tube, Elevating Support, Black - Left	1	1
18	E	1110208-NLA	NLA - Bracket, Calf Pad Mounting, Chrome	1	1
18		1110207	Bracket, Calf Pad Mounting, Black	1	1
19		42326X001	Bar, Ratchet	1	1
20	E,C	1110334-NLA	NLA - Legrest Support Tube Assembly, Hemi, Black - Right	1	1
20	E,C	1110335	Legrest Support Tube Assembly, Hemi, Black - Left	1	1
20	B	1110332	NLA - Legrest Support Tube Assembly, Hemi, Black - Right	1	1
20		1110333	Legrest Support Tube Assembly, Hemi, Black - Left	1	1
21		47328X003	Bushing, Pivot (5/16 x 7/16 x 7/8")	1	1
22		47330X003	Spacer (5/16 x 1/2 x 3/8")	1	1
23		48823X008	Spring, Leaf	1	1
24		1107321	Nut, Low Cap (5/16"-24)	1	2
25		04526X019	Plate, Legrest Pad	1	1
26		1006490-NLA	NLA - Tip, Plastic, Black	1	1
26		1127688	Package, Plastic Tip, Black	10	1

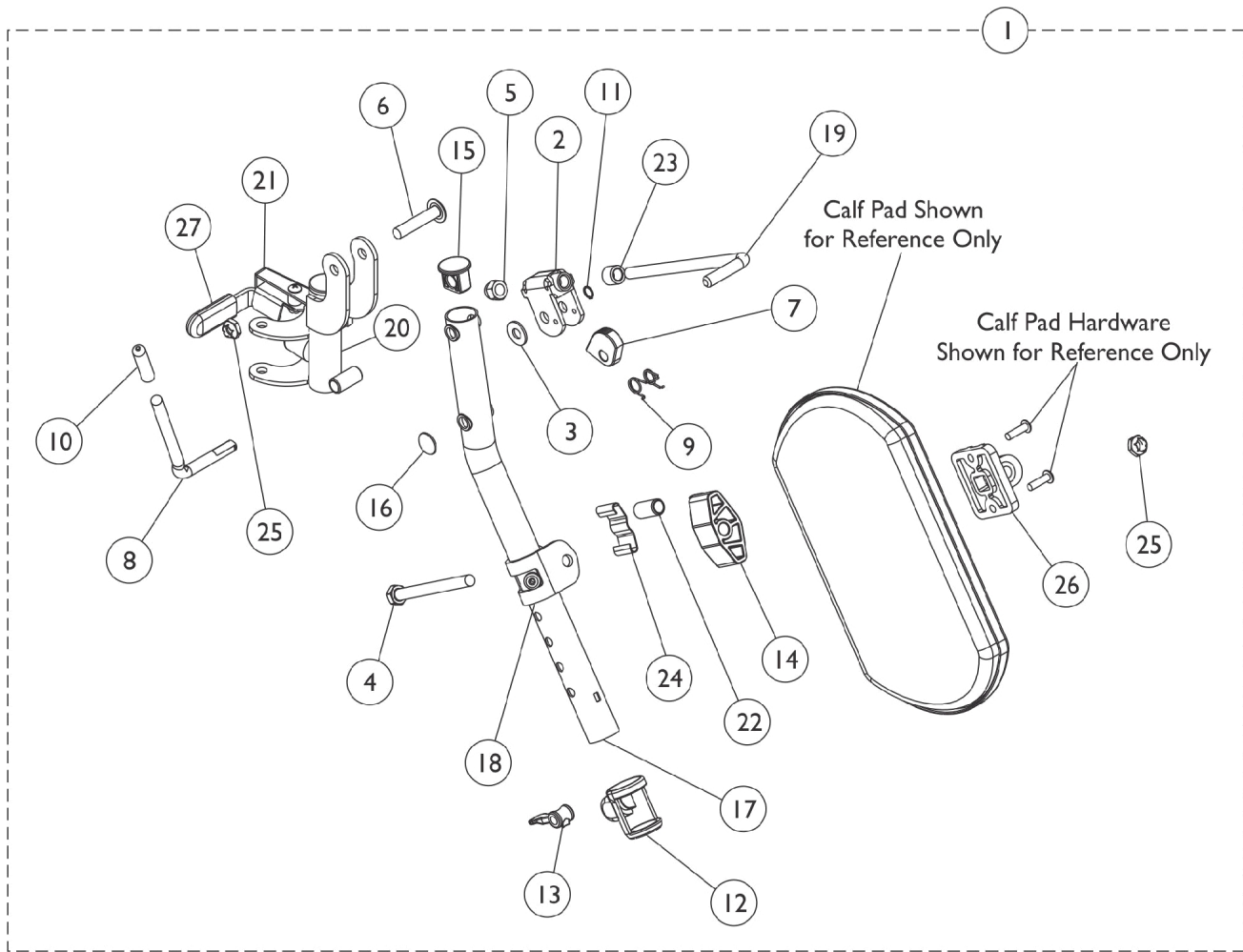
Legrest Support Assembly T94H Series Before 5/16/19

NOTE: If your chair was built with a serial # starting with "03H" or "03I", please contact an Invacare Parts Specialist for replacement parts at 1-800-333-6900 Ext. 3722.

NOTE:	A - Includes items 2-26. B - No longer available as a service part individually. Order item #1 as a replacement. C - Assembly includes: tip, bumper, screws, plug, spring, nuts, handle release, legrest support and bushing. D - Specify 71P Silver Vein frame finish when ordering. E - Item #17, 18 and 20 are not for sale on color frame models. See item #1 as a replacement. F - After 10/14/14 color changed from Chrome to Black. It is recommended to order both the right and left side to match.
-------	---

Legrest Support Assembly

T94H Series After 5/15/19



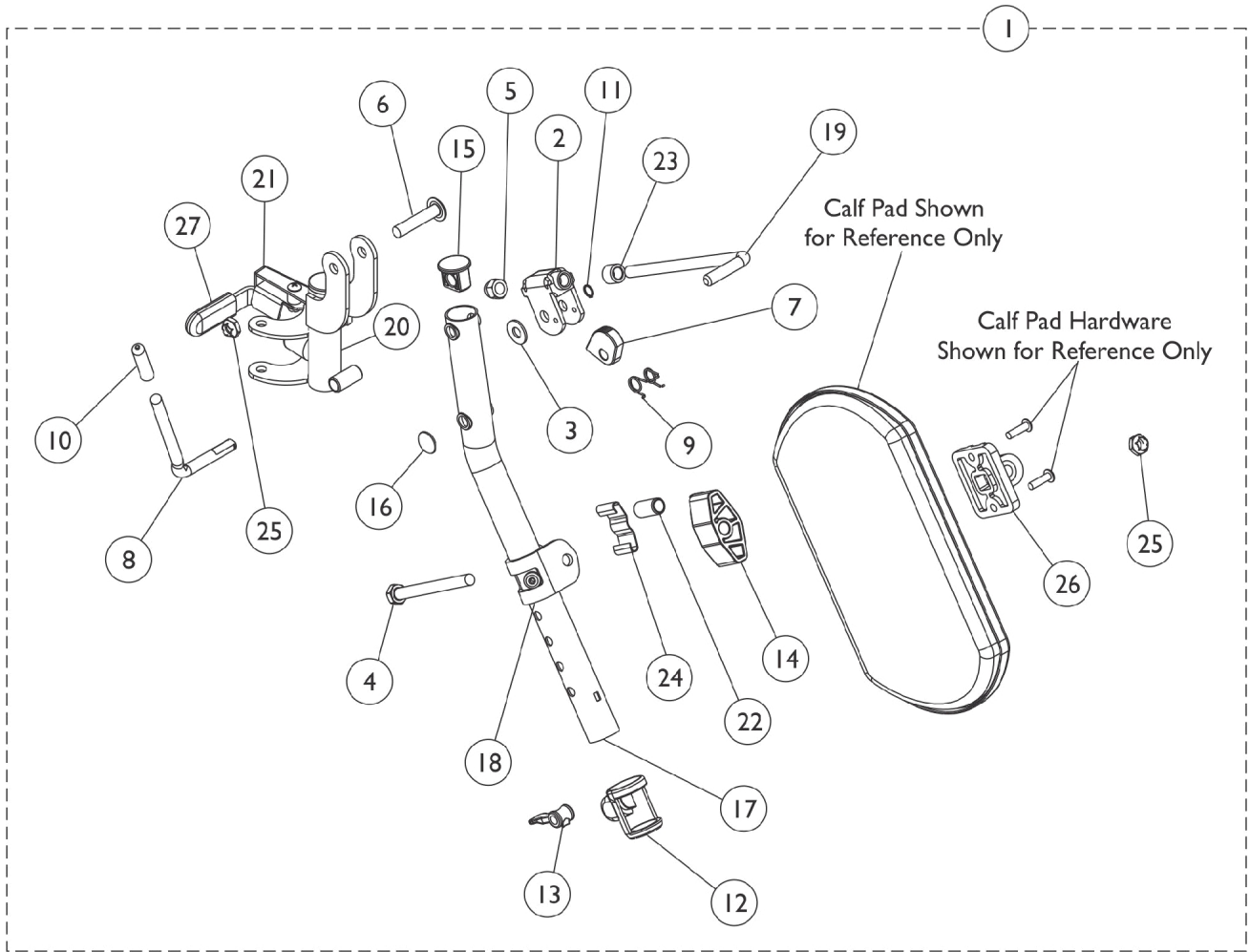
SSM_046A

Legrest Support Assembly T94H Series After 5/15/19

Item Number	Note	Part Number	Description	Quantity Per	
				Package	Assembly
1	B,A	1194381	Legrest Support Assembly, Hemi, Black - Right	1	1
1	B,A	1194382	Legrest Support Assembly, Hemi, Black - Left	1	1
3		1013519	Washer, Nylon (5/16 x 11/16 x 1/16")	1	1
4		1014807	Screw, Hex Head (5/16-24 x 3-1/4")	1	1
5		10261X000	Nut, Acorn (5/16-24)	1	1
6		1030948	Screw, Slotted Truss Head (5/16-24 x 1-1/2")	1	1
7		1037125	Cam, Legrest	1	1
8		1037126	Handle, Release	1	1
9		1037485	Spring, Release	1	1
10		1040060	Tip, Plastic, Black	1	1
11		1040831	Ring, Snap	1	1
12		1048085	Housing, Cam	1	1
13		1048086	Lever, Cam, Black	1	1
14		1091220	Spacer, Legrest	1	1
15		1095433	Plug Button, Black (7/8")	1	1
16		1096773	Nut, Push Dome (5/16")	1	1
19		42326X001	Bar, Ratchet	1	1
21		1180757	Handle, Release, Black - Right	1	1
21		1180758	Handle, Release, Black - Left	1	1
22		47328X003	Bushing, Pivot (5/16 x 7/16 x 7/8")	1	1
23		47330X003	Spacer (5/16 x 1/2 x 3/8")	1	1
24		48823X008	Spring, Leaf	1	1
25		60264X001	Locknut (5/16-24)	1	2
26		04526X019	Plate, Legrest Pad	1	1
27		1006490-NLA	NLA - Tip, Plastic, Black	1	1
27	C	1127688	Package, Plastic Tip, Black	10	1

NOTE: A - Includes items 2-27. Items 2, 17, 18, 20 are not available for sale. Order item #1 for replacement.
B - Item #20 includes: Item 27, bumper, screws, plug, springs, nuts, handle release, Legrest Support and bushing.
C - Not Shown

Legrest Support Assembly GT94H Series



SSM_046A

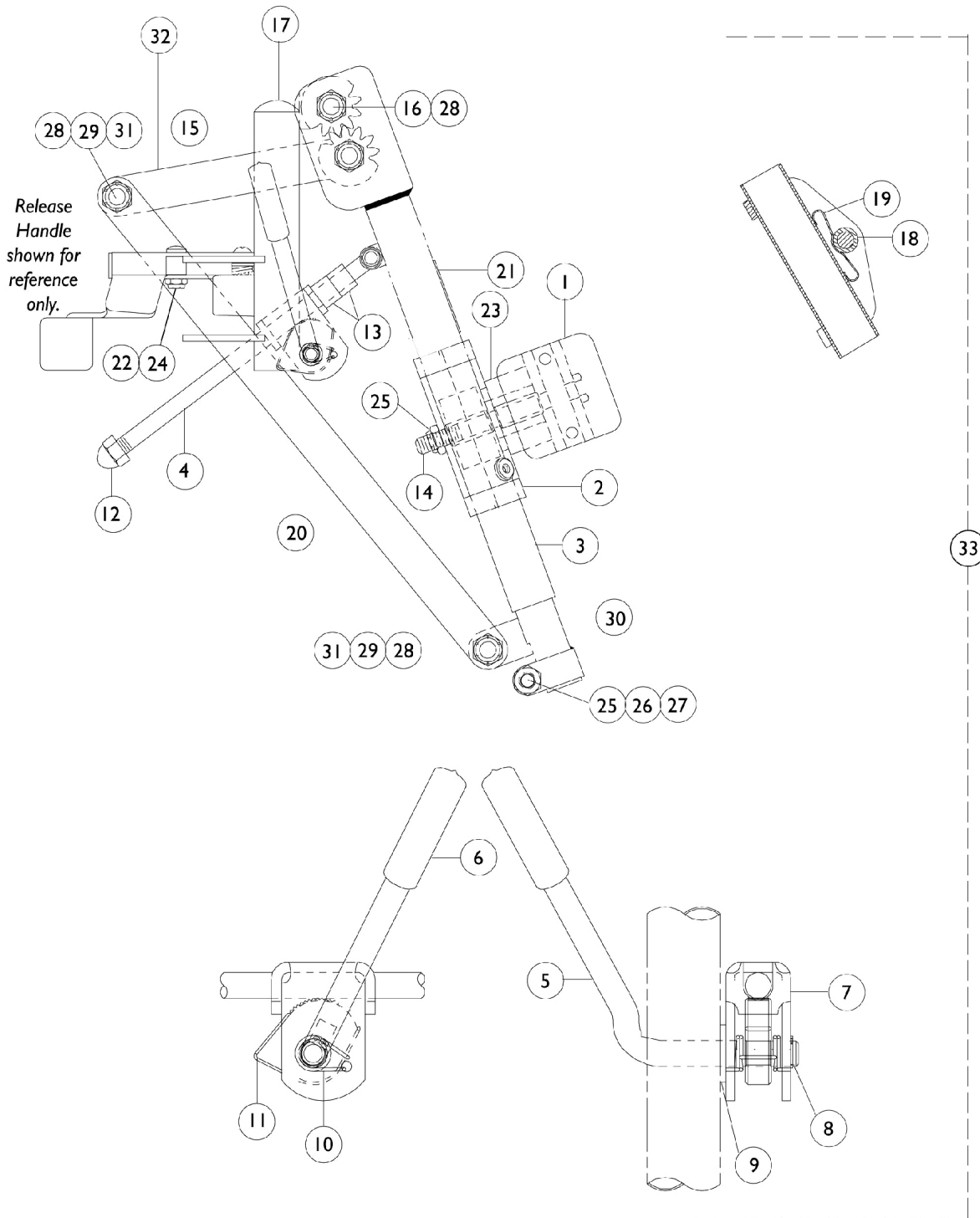
Legrest Support Assembly GT94H Series

Item Number	Note	Part Number	Description	Quantity Per	
				Package	Assembly
1	A,B	1194381	Legrest Support Assembly, Hemi, Black - Right	1	1
1	A,B	1194382	Legrest Support Assembly, Hemi, Black - Left	1	1
3		1013519	Washer, Nylon (5/16 x 11/16 x 1/16")	1	1
4		1014807	Screw, Hex Head (5/16-24 x 3-1/4")	1	1
5		10261X000	Nut, Acorn (5/16-24)	1	1
6		1030948	Screw, Slotted Truss Head (5/16-24 x 1-1/2")	1	1
7		1037125	Cam, Legrest	1	1
8		1037126	Handle, Release	1	1
9		1037485	Spring, Release	1	1
10		1040060	Tip, Plastic, Black	1	1
11		1040831	Ring, Snap	1	1
12		1048085	Housing, Cam	1	1
13		1048086	Lever, Cam, Black	1	1
14		1091220	Spacer, Legrest	1	1
15		1095433	Plug Button, Black (7/8")	1	1
16		1096773	Nut, Push Dome (5/16")	1	1
19		42326X001	Bar, Ratchet	1	1
22		47328X003	Bushing, Pivot (5/16 x 7/16 x 7/8")	1	1
23		47330X003	Spacer (5/16 x 1/2 x 3/8")	1	1
24		48823X008	Spring, Leaf	1	1
25		60264X001	Locknut (5/16-24)	1	2
26		04526X019	Plate, Legrest Pad	1	1
27		1006490-NLA	NLA - Tip, Plastic, Black	1	1
27	C	1127688	Package, Plastic Tip, Black	10	1

NOTE: A - Includes items 2-27. Items 2, 17, 18, 20 21 are not available for sale. Order item #1 for replacement.
 B - Item #20 includes: Item 27, bumper, screws, plug, springs, nuts, handle release, Legrest Support and bushing.
 C - Not Shown

Articulating Legrest Support AHL4A / AHL4C

NOTE: If your chair was built with a serial # starting with "03H" or "03I", please contact an Invacare Parts Specialist for replacement parts at 1-800-333-6900 Ext. 3722.



Articulating Legrest Support

AHL4A / AHL4C

NOTE: If your chair was built with a serial # starting with "03H" or "03I", please contact an Invacare Parts Specialist for replacement parts at 1-800-333-6900 Ext. 3722.

Item Number	Note	Part Number	Description	Quantity Per	
				Package	Assembly
1		04526X019	Plate, Legrest Pad	1	1
2		1025104	Bracket, Legrest, Chrome	1	1
3		1022877-NLA	NLA - Tube, Support and Drive Link, Chrome - Right	1	1
3		1022878-NLA	NLA - Tube, Support and Drive Link, Chrome - Left	1	1
4		42326X004	Bar, Ratchet - Right/Left	1	1
5		1037126	Handle, Release	1	1
6		1040060	Tip, Plastic, Black	1	1
7		04528X002	Bracket, Release, Black	1	1
8		1040831	Ring, Snap	1	1
9		7930310-NLA	NLA - Washer, Nylon (5/16 x 11/16 x 1/16")	25	1
10		1037485	Spring, Release	1	2
11		1037125	Cam, Legrest	1	1
12		7930336-NLA	NLA - Nut, Acorn (5/16-24)	25	1
13		47330X003	Spacer (5/16 x 1/2 x 3/8")	1	1
14		1014807	Screw, Hex Head (5/16-24 x 3-1/4")	1	1
15		1023092-NLA	NLA - Legrest Support Tube Assembly, Hemi, Chrome - Right	1	1
15		1023093-NLA	NLA - Legrest Support Tube Assembly, Hemi, Chrome - Left	1	1
16		1022854-NLA	NLA - Screw, Shoulder Slotted Head (1/2 x 1-1/8", 3/8-16)	1	1
17		1027097	Plug Button, Black (3/4")	1	1
18		47328X003	Bushing, Pivot (5/16 x 7/16 x 7/8")	1	1
19		48823X008	Spring, Leaf	1	1
20		1022846-NLA	NLA - Bar, Link, Black	1	1
21		1024911-NLA	NLA - Decal, Smartleg	1	1
22		1030979	Screw, Phillips Pan Head Tap (#10-32 x 3/4")	1	1
23		1091220	Spacer, Legrest	1	1
24		1022874	Bumper	1	1
25		7930363-NLA	NLA - Package, Locknut (5/16"-24)	25	2
26		11232X009	Bolt, Lug (5/16-24 x 1-3/8")	1	1
27		1027377	Washer (#20)	1	1
28		40363X000	Hex Nut (3/8"-16)	1	3
29		1022866-NLA	NLA - Screw, Socket Button Head (3/8-16 x 3/4")	1	2
30		1022848	Tube, Slide, Articulating, Chrome - Right	1	1
30		1022849	Tube, Slide, Articulating, Chrome - Left	1	1
31		1049527	Washer, Nylon (3/8 x 3/4 x 1/16")	1	2
32		1022864	Drive, Link, Black	1	1
33	A	1041799	Legrest Support Assembly, Articulating, Hemi, Chrome - Right	1	1
33	A	1041800	Legrest Support Assembly, Articulating, Hemi, Chrome - Left	1	1

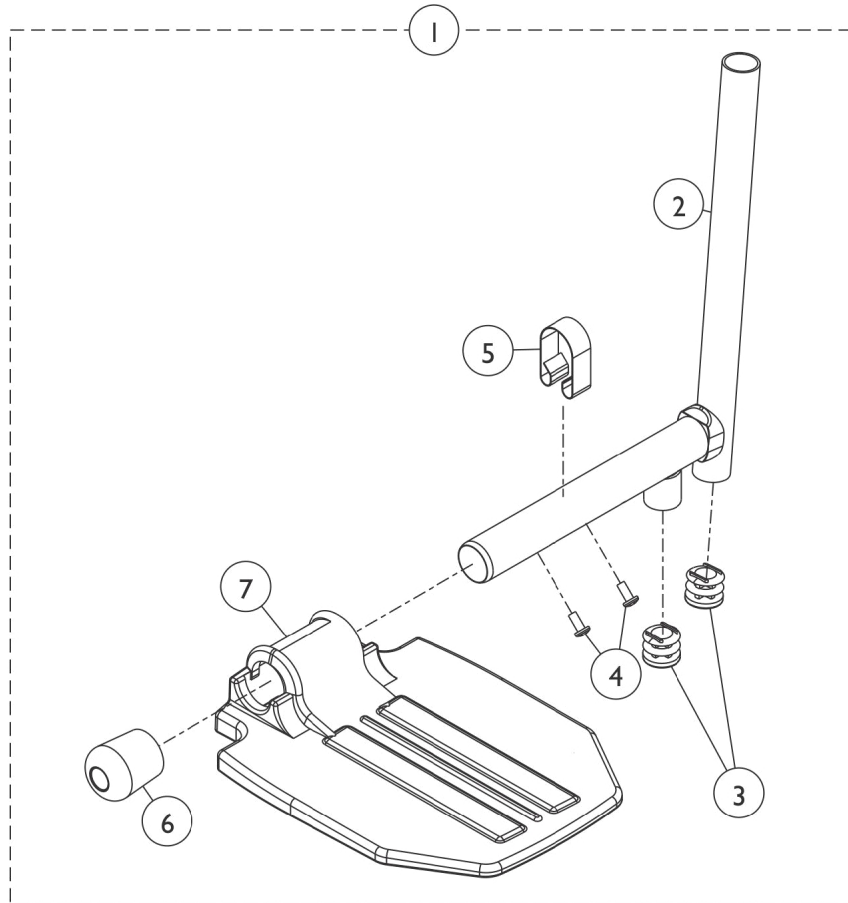
Articulating Legrest Support AHL4A / AHL4C

NOTE: If your chair was built with a serial # starting with "03H" or "03I", please contact an Invacare Parts Specialist for replacement parts at 1-800-333-6900 Ext. 3722.

Item Number	Note	Part Number	Description	Quantity Per	
				Package	Assembly
	B,C	1046329	Kit, Elevating Legrest Ratchet Hardware (Pair)	2	1
NOTE: A - Includes Items 1-32. B - Includes Items 4-13. C - Not Shown.					

Pivot Slide Tube with Footplate AHL4A/C Legrests

NOTE: If your chair was built with a serial # starting with "03H" or "03I", please contact an Invacare Parts Specialist for replacement parts at 1-800-333-6900 Ext. 3722.



Pivot Slide Tube with Footplate AHL4A/C Legrests

NOTE: If your chair was built with a serial # starting with "03H" or "03I", please contact an Invacare Parts Specialist for replacement parts at 1-800-333-6900 Ext. 3722.

Item Number	Note	Part Number	Description	Quantity Per	
				Package	Assembly
1		See Chart	Pivot/Slide Tube Assembly with Footplate - AHL4A/C Legrests	1	1
2		7500085-NLA	NLA - Pivot/Slide Tube w/ Plug Button Assembly, Chrome	1	1
2		1041526	Pivot/Slide Tube w/ Plug Button Assembly, Chrome	1	2
3		1027097	Plug Button, Black (3/4")	1	2
3		1018133	Plug Button, Black (5/8")	1	1
4		40120X001	Screw, Phillips Pan Head (#8-32 x 3/8")	1	1
5		1006981	Spring, Tension	1	1
6		1016346	Cap, End, Tube, Black (7/8")	1	1
7		1015178	Footplate, Composite, Black (6" W x 7-53/64" L)	1	1
7	A	44200X059	Footplate, Aluminum, Small, Black (6-3/4" W x 6" L)	1	1
7	A	44200X027	Footplate, Aluminum, Medium, Black (7-3/4" W x 6" L)	1	1
7	A	44200X025	Footplate, Aluminum, Extra Large, Black - Right (8" W x 8-1/2" L)	1	1
7	A	44200X026	Footplate, Aluminum, Extra Large, Black - Left (8" W x 8-1/2" L)	1	1

NOTE: A - Aluminum footplates on chairs built before 2/96 had a "Ball Burnish" finish. Footplates after 1/96 now have a black finish. When replacing one ball burnish footplate it is suggested that you order two new (black) footplates.

Pivot/Slide Tube Assembly with Footplate - AHL4A/C Legrests

Front Rigging Model	Chair Width	Footplate Type	Side	Part Number
AHL4A Chrome	18 - 24" W	Aluminum	Right	1023907
AHL4A Chrome	18 - 24" W	Aluminum	Left	1023908
AHL4C Chrome	18 - 24" W	Composite See Note(s) A	Right/Left	1023909-NLA
AHL4C Chrome	18 - 24" W	Composite See Note(s) A	Right/Left	1023910-NLA
AHL4A	18 - 24" W	Extra Large Aluminum See Note(s) B	Right	1035456
AHL4A	18 - 24" W	Extra Large Aluminum See Note(s) B	Left	1035457

Pivot Slide Tube with Footplate AHL4A/C Legrests

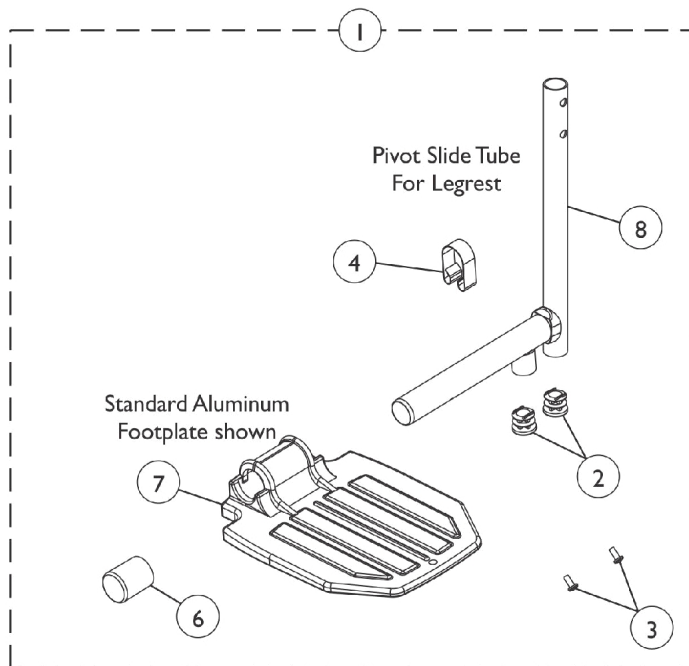
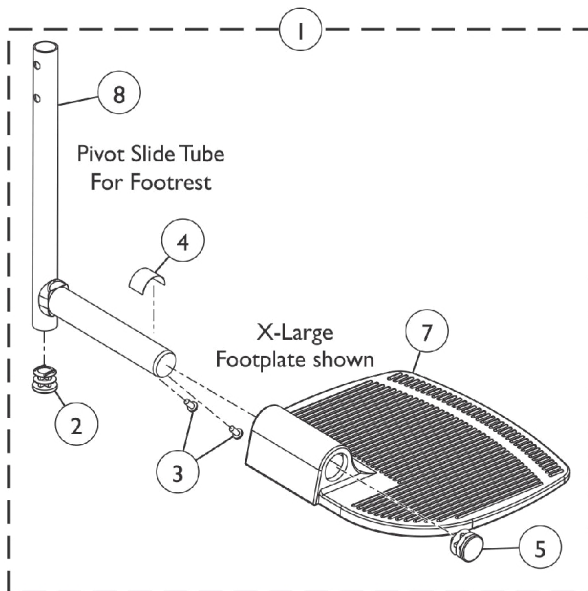
NOTE: If your chair was built with a serial # starting with "03H" or "03I", please contact an Invacare Parts Specialist for replacement parts at 1-800-333-6900 Ext. 3722.

NOTE:	A - Use the same parts number when ordering Front Rigging for either side. B - Order replacements depending on asked for sizing.
-------	---

Pivot Slide Tube with Footplate

T93H Series and T94H Series

NOTE: If your chair was built with a serial # starting with "03H" or "03I", please contact an Invacare Parts Specialist for replacement parts at 1-800-333-6900 Ext. 3722.



Pivot Slide Tube with Footplate T93H Series and T94H Series

NOTE: If your chair was built with a serial # starting with "03H" or "03I", please contact an Invacare Parts Specialist for replacement parts at 1-800-333-6900 Ext. 3722.

Item Number	Note	Part Number	Description	Quantity Per	
				Package	Assembly
1		See Chart	Item #1 Pivot/Slide Tube with Footplate Assembly	1	1
2		1027097	Plug Button, Black (3/4")	1	2
3		40120X001	Screw, Phillips Pan Head (#8-32 x 3/8")	1	2
4	F	1006981	Spring, Tension	1	1
4	D,E	1036123	Spring, Leaf	1	1
5		1027095	Plug Button, Black (7/8")	1	1
6		1016346	Cap, End, Tube, Black (7/8")	1	1
7		44200X027	Footplate, Aluminum, Medium, Black (7-3/4" W x 6" L)	1	1
7		44200X025	Footplate, Aluminum, Extra Large, Black - Right (8" W x 8-1/2" L)	1	1
7		44200X026	Footplate, Aluminum, Extra Large, Black - Left (8" W x 8-1/2" L)	1	1
7		1015178	Footplate, Composite, Black (6" W x 7-53/64" L)	1	1
8		1110300-NLA	NLA - Pivot/Slide Tube w/ Plug Button, Legrest, Chrome	1	1
8		1110301	Pivot/Slide Tube w/ Plug Button, Legrest, Black	1	1
8		1111278-NLA	NLA - Pivot/Slide Tube w/ Plug Button, Footrest, Chrome	1	1
8		1111277	Pivot/Slide Tube w/ Plug Button, Footrest, Black	1	1

NOTE: D - Use one or more leaf springs per assembly as required such that footplate may be moved by hand to the up-right position and remain in place.
E - Use with Extra Large Footplates.
F - Use with Standard Footplates.

Item #1 Pivot/Slide Tube with Footplate Assembly

Front Rigging Model	Chair Width	Footplate Style	Frame Side	Part Number
T93HA-T93HAB Black	18 - 24" W	Aluminum	Right	1111285 See Note(s) A
T93HA-T93HAB Black	18 - 24" W	Aluminum	Left	1111286 See Note(s) A
T93HA-T93HAB Black	18 - 24" W	Extra Large Aluminum	Right	1110344
T93HA-T93HAB Black	18 - 24" W	Extra Large Aluminum	Left	1110345
T93HC-T93HAC Black	18 - 24" W	Composite	Right	1194329
T93HC-T93HAC Black	18 - 24" W	Composite	Left	1194330
T94HA-T94HAB Black	18 - 24" W	Aluminum	Right	1110315

Pivot Slide Tube with Footplate T93H Series and T94H Series

NOTE: If your chair was built with a serial # starting with "03H" or "03I", please contact an Invacare Parts Specialist for replacement parts at 1-800-333-6900 Ext. 3722.

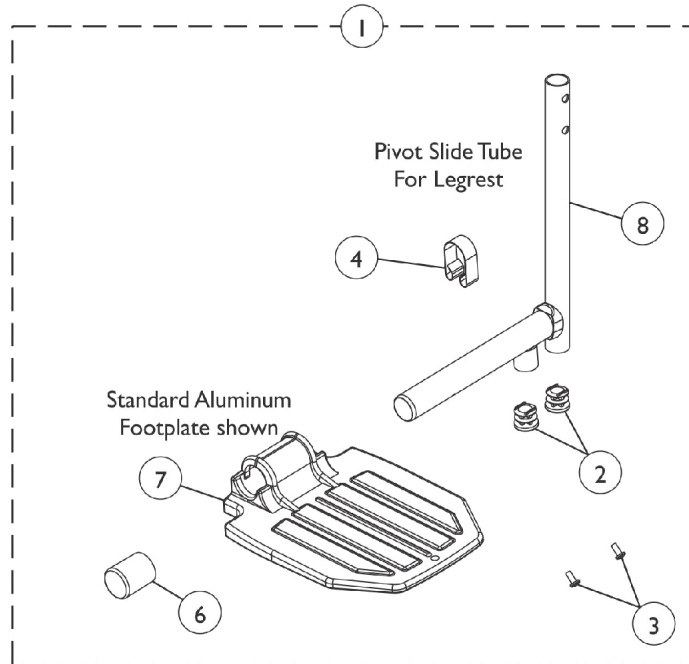
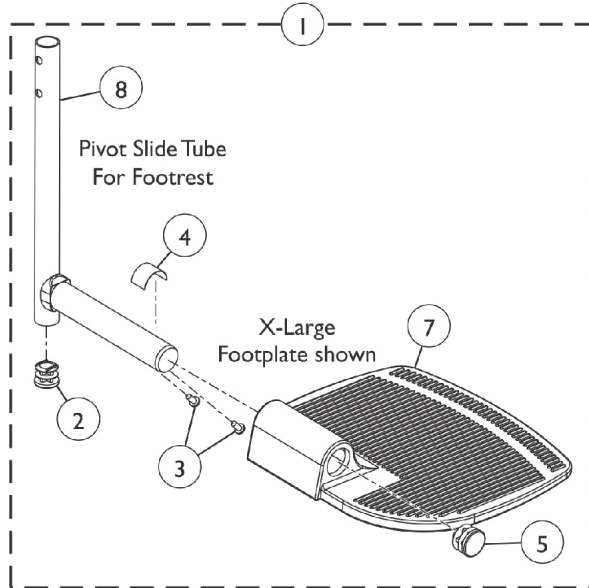
Item #1 Pivot/Slide Tube with Footplate Assembly

Front Rigging Model	Chair Width	Footplate Style	Frame Side	Part Number
T94HA-T94HAB Black	18 - 24" W	Aluminum	Left	1110316
T94HA-T94HAB Black	18 - 24" W	Extra Large Aluminum	Right	1110348
T94HA-T94HAB Black	18 - 24" W	Extra Large Aluminum	Left	1110349
T94HC-T94HCB Black	18 - 24" W	Composite	Right	1110311
T94HC-T94HCB Black	18 - 24" W	Composite	Left	1110312
NOTE: A - NOTE: Part numbers changed from Chrome Pivot/Slide Tube to Black as of 5/16/19				

Pivot Slide Tube (Black) with Footplate

GT93H/T93H Series and GT94H/T94H Series

NOTE: If your chair was built with a serial # starting with "03H" or "03I", please contact an Invacare Parts Specialist for replacement parts at 1-800-333-6900 Ext. 3722.



Pivot Slide Tube (Black) with Footplate GT93H/T93H Series and GT94H/T94H Series

NOTE: If your chair was built with a serial # starting with "03H" or "03I", please contact an Invacare Parts Specialist for replacement parts at 1-800-333-6900 Ext. 3722.

Item Number	Note	Part Number	Description	Quantity Per	
				Package	Assembly
1		See Chart	Item #1 Pivot/Slide Tube (Black) w/ Footplate Assembly	1	1
2		1027097	Plug Button, Black (3/4")	1	2
3		40120X001	Screw, Phillips Pan Head (#8-32 x 3/8")	1	2
4	F	1006981	Spring, Tension	1	1
4	D,E	1036123	Spring, Leaf	1	1
5		1027095	Plug Button, Black (7/8")	1	1
6		1016346	Cap, End, Tube, Black (7/8")	1	1
7		44200X027	Footplate, Aluminum, Medium, Black (7-3/4" W x 6" L)	1	1
7		44200X025	Footplate, Aluminum, Extra Large, Black - Right (8" W x 8-1/2" L)	1	1
7		1015178	Footplate, Composite, Black (6" W x 7-53/64" L)	1	1
7	G	1192674	Footplate, Composite, Black (6" W x 7-53/64" L)	1	1
8		1110301	Pivot/Slide Tube w/ Plug Button, Legrest, Black	1	1
8		1111277	Pivot/Slide Tube w/ Plug Button, Footrest, Black	1	1

NOTE: D - Use one or more leaf springs per assembly as required such that footplate may be moved by hand to the up-right position and remain in place.
E - Use with Extra Large Footplates.
F - Use with Standard Footplates.
G - Use with GT93HC and GT94HC/GT94HCB model Front Riggings and (T93HC, T94HC/T94HCB as of 5/16/19).

Item #1 Pivot/Slide Tube (Black) w/ Footplate Assembly

Front Rigging Model	Chair Width	Footplate Style	Frame Side	Part Number
T93HA	18 - 24" W	Aluminum	Right	8881180777 See Note(s) A
T93HA	18 - 24" W	Aluminum	Left	8881180778 See Note(s) A
GT93HA/T93HAB	18 - 24" W	Aluminum	Right	1111285
GT93HA/T93HAB	18 - 24" W	Aluminum	Left	1111286
T93HA	18 - 24" W	Extra Large Aluminum	Right	8881180783 See Note(s) A
T93HA	18 - 24" W	Extra Large Aluminum	Left	8881180784 See Note(s) A
GT93HA/T93HAB	18 - 24" W	Extra Large Aluminum	Right	1110344
GT93HA/T93HAB	18 - 24" W	Extra Large Aluminum	Left	1110345
T93HC	18 - 24" W	Composite	Right	8881180779 See Note(s) A

Pivot Slide Tube (Black) with Footplate GT93H/T93H Series and GT94H/T94H Series

NOTE: If your chair was built with a serial # starting with "03H" or "03I", please contact an Invacare Parts Specialist for replacement parts at 1-800-333-6900 Ext. 3722.

Item #1 Pivot/Slide Tube (Black) w/ Footplate Assembly

Front Rigging Model	Chair Width	Footplate Style	Frame Side	Part Number
T93HC	18 - 24" W	Composite	Left	8881180780 See Note(s) A
GT93HC/T93HC	18 - 24" W	Composite	Right	1194329 See Note(s) B
GT93HC/T93HC	18 - 24" W	Composite	Left	1194330 See Note(s) B
T94HA	18 - 24" W	Aluminum	Right	8881180764 See Note(s) A
T94HA	18 - 24" W	Aluminum	Left	8881180765 See Note(s) A
GT94HA/T94HAB	18 - 24" W	Aluminum	Right	1110315
GT94HA/T94HAB	18 - 24" W	Aluminum	Left	1110316
T94HA	18 - 24" W	Extra Large Aluminum	Right	8881180770 See Note(s) A
T94HA	18 - 24" W	Extra Large Aluminum	Left	8881180771 See Note(s) A
GT94HA/T94HAB	18 - 24" W	Extra Large Aluminum	Right	1110348
GT94HA/T94HAB	18 - 24" W	Extra Large Aluminum	Left	1110349
T94HC	18 - 24" W	Composite	Right	8881180766 See Note(s) A
T94HC	18 - 24" W	Composite	Left	8881180767 See Note(s) A
GT94HC/T94HCB	18 - 24" W	Composite	Right	1110311
GT94HC/T94HCB	18 - 24" W	Composite	Left	1110312
NOTE: A - Specify color 34P Black when ordering. B - Used for model GT93HC and (T93HC as of 5/16/19).				

Seat Accessories

NOTE: If your chair was built with a serial # starting with "03H" or "03I", please contact an Invacare Parts Specialist for replacement parts at 1-800-333-6900 Ext. 3722.

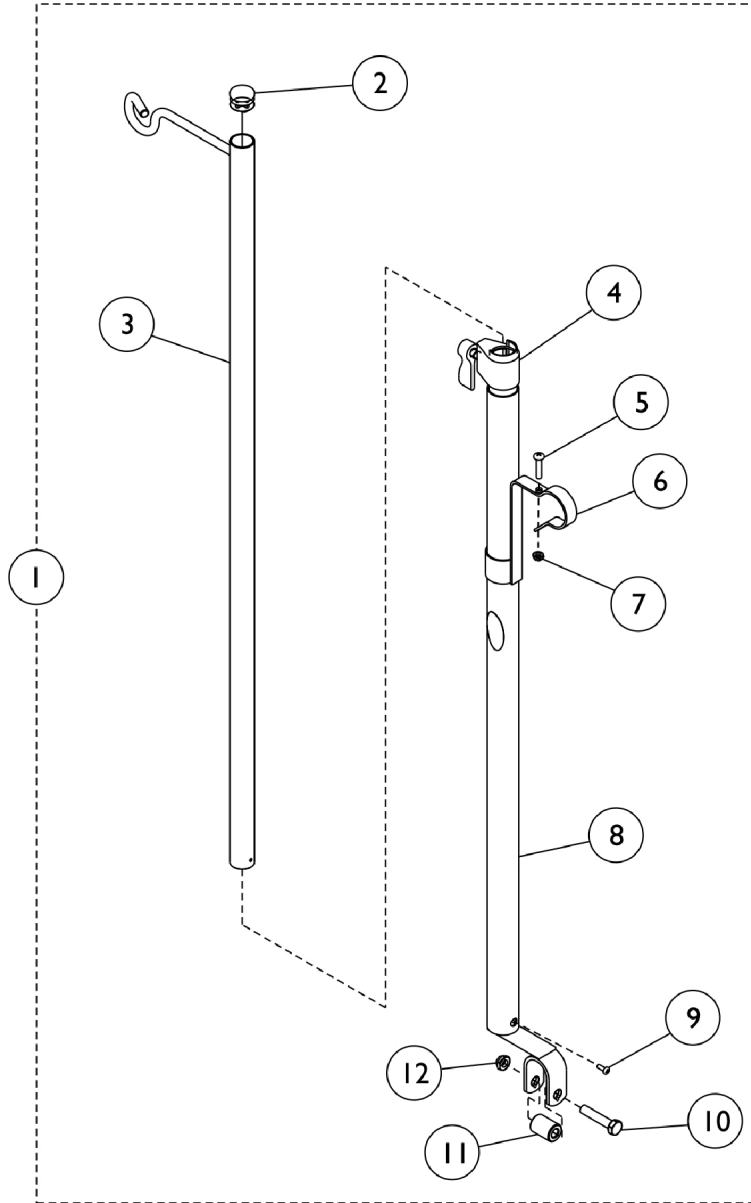
Solid Seat Insert

Part Number	Chair Width X Depth
8881034668 See Note(s) A	18" W x 18" D
8881034686-NLA See Note(s) A	18" W x 20" D
8881102882 See Note(s) A	20" W x 18" D
8881102172 See Note(s) A	20" W x 20" D
8881102883 See Note(s) A	22" W x 18" D
8881102173 See Note(s) A	22" W x 20" D
8881102168 See Note(s) A	24" W x 18" D
8881102174 See Note(s) A	24" W x 20" D

NOTE: A - Available in black only.

I.V. Rod and Bracket (2218)

NOTE: If your chair was built with a serial # starting with "03H" or "03I", please contact an Invacare Parts Specialist for replacement parts at 1-800-333-6900 Ext. 3722.



I.V. Rod and Bracket (2218)

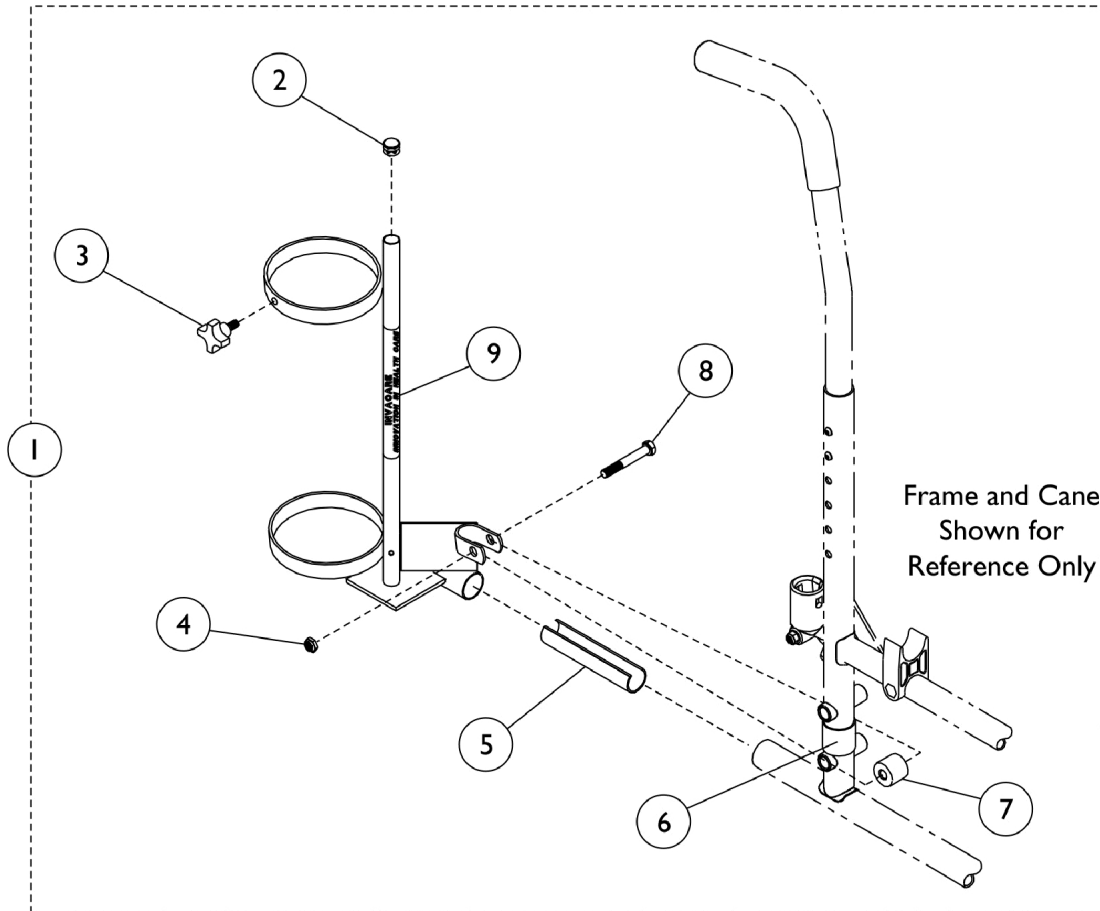
NOTE: If your chair was built with a serial # starting with "03H" or "03I", please contact an Invacare Parts Specialist for replacement parts at 1-800-333-6900 Ext. 3722.

Item Number	Note	Part Number	Description	Quantity Per	
				Package	Assembly
1		1101760-NLA	NLA - Rod, I.V., Telescoping (Model 2218)	1	1
2		1027095	Plug Button, Black (7/8")	1	1
3		04701X028	Rod, I.V.	1	1
4		12592X000-NLA	NLA - Adjustment Lock Assembly, Chrome	1	1
5		16718X000-NLA	NLA - Screw, Phillips Pan Head (#10-32 x 7/8")	1	1
6		1020082	Bracket, Mounting, Chrome	1	1
7		60279X003	Locknut (#10-32)	1	1
8		1017623	Socket, I.V.	1	1
9		21243X000-NLA	NLA - Screw, Phillips Pan Head (#6-20 x 3/8")	1	1
10		11239X001	Screw, Hex Head (5/16-24 x 1-1/2")	1	1
11		1017843-NLA	NLA - Spacer, Chrome (5/16 x 11/16 x 15/16")	1	1
12		60264X001	Locknut (5/16-24)	1	1
	A	1023618	Insert, Guide Tube, Black (1" Long)	1	1
	A	1114827	Instruction Sheet	1	1

NOTE: A - Not Shown.

Oxygen Holder - 1497

NOTE: If your chair was built with a serial # starting with "03H" or "03I", please contact an Invacare Parts Specialist for replacement parts at 1-800-333-6900 Ext. 3722.



Oxygen Holder - 1497

NOTE: If your chair was built with a serial # starting with "03H" or "03I", please contact an Invacare Parts Specialist for replacement parts at 1-800-333-6900 Ext. 3722.

Item Number	Note	Part Number	Description	Quantity Per	
				Package	Assembly
1	A	1070901	Holder, Oxygen	1	1
2		1017672	Plug Button, Grey (1/2")	1	1
3		1027683	Knob, Adjustment, Black	1	1
3		1027684	Knob, Clamping, Black	1	1
4		7930363-NLA	NLA - Package, Locknut (5/16"-24)	25	1
5		1023560	Insert, Guide Tube, Black (3-3/4" Long)	1	1
6		1023618	Insert, Guide Tube, Black (1" Long)	1	1
7		1102577	Spacer, Black (5/16 x 11/16 x 15/16")	1	1
8		11239X000-NLA	NLA - Screw, Hex Head (5/16-24 x 1-3/4")	1	1
9		1070900-NLA	NLA - Base, Oxygen Holder	1	1
	B	1095497	Decal, Invacare Logo (1.6)	1	1
	B	1027930	Instruction Sheet, Oxygen Holder	1	1

NOTE: A - Includes Items 2-9.
B - Not Shown

Miscellaneous Accessories

NOTE: If your chair was built with a serial # starting with "03H" or "03I", please contact an Invacare Parts Specialist for replacement parts at 1-800-333-6900 Ext. 3722.

Carrying Pocket

18" Wide Chair	20" Wide Chair	22" Wide Chair	24" Wide Chair
1041603-NLA	8881047957	8881047960	8881121291
See Note(s) A, B	See Note(s) A	See Note(s) A	See Note(s) A
NOTE: A - Specify upholstery color when ordering. See category titled, "Upholstery Colors." B - This Carry pocket comes in U92 only.			

Carrying Straps

Part Number	Description	Quantity
8881091731-NLA	Carrying Strap	1

Crutch & Cane Carrier

Part Number	Description	Quantity
1034204	Crutch & Cane Carrier	1

Non-Folding Device

Part Number	Description	Quantity
1143048	Device, Non-Folding (14-24" W)	1

Miscellaneous Accessories

NOTE: If your chair was built with a serial # starting with "03H" or "03I", please contact an Invacare Parts Specialist for replacement parts at 1-800-333-6900 Ext. 3722.

OverHead and Single Pole Anti-Theft Device

Part Number	Description	Quantity
1037080	OverHead Anti-Theft Device Available on 16-18" Wide Chairs	1
1121288	Single Pole Anti-Theft Device	1

Seat/Chest Positioning Strap

Buckle Style	18" Wide Chair	20-22" Wide Chair	24" Wide Chair
Auto	1004310	1034625	1034622-NLA See Note(s) A
Hook and Loop	1034744	1034745	1034746

NOTE: A - For replacement contact The Aftermarket Group (TAG).

Anti-Tipper

Part Description	Part Number
Rear Anti-Tipper, Adjustable for 8" Casters (Pair)	1058836
Anti-Rattle (1")	15680X013
Front Anti-Tipper (1326) (Pair)	1042412

WWW.MPSOURCE.COM

MPS

MEDICAL PARTS SOURCE