



**ETUDE-HC
Homecare Bed
United States**



Yes, you can.

For your convenience, we have supplied an area for you to list your Invacare Representatives.

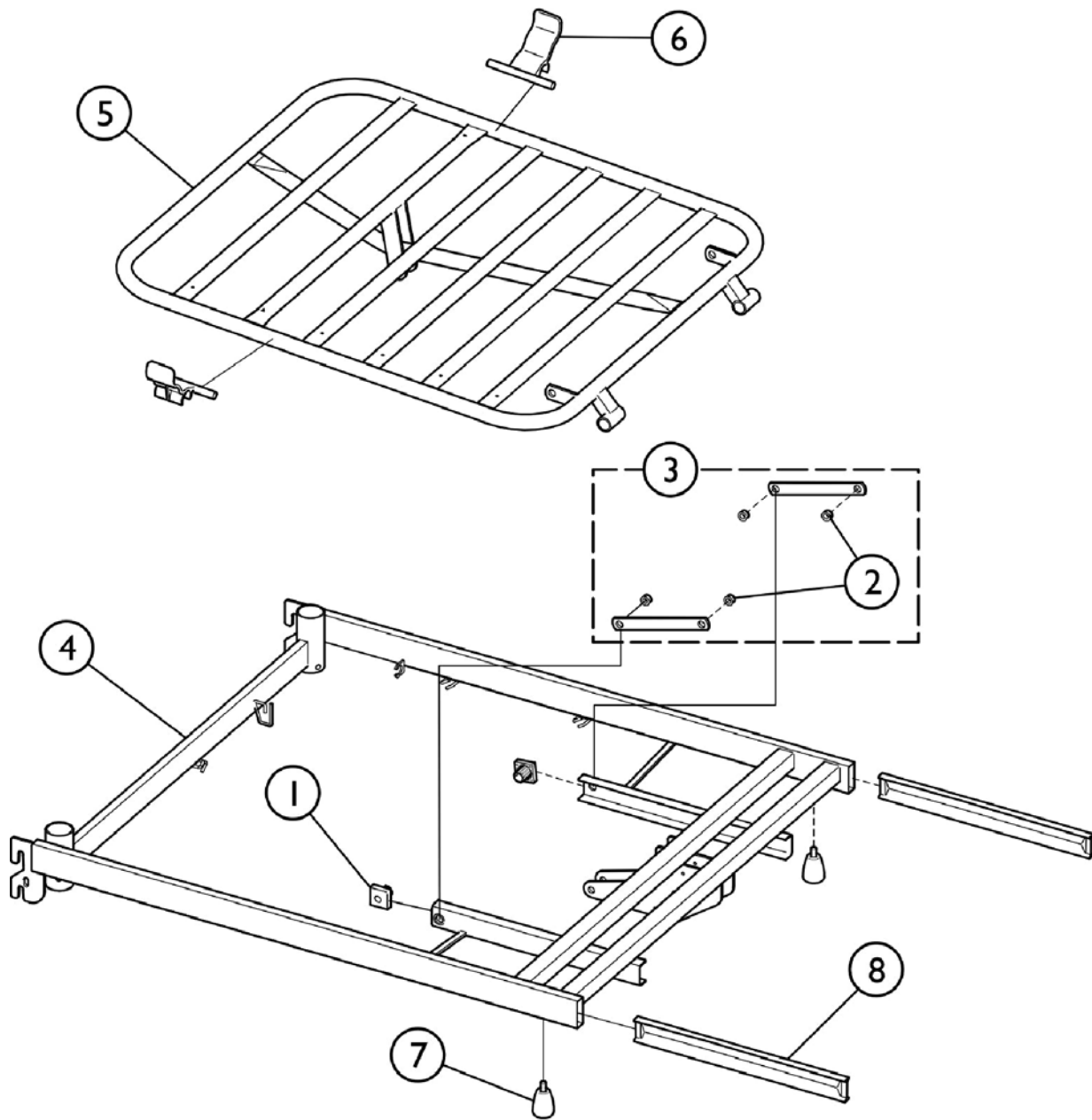
Name	Phone Numbers

© 2022 Invacare Corporation. All rights reserved. Republication, duplication or modification in whole or in part is prohibited without prior written permission from Invacare. Trademarks are identified by ™ and ®. All trademarks are owned by or licensed to Invacare Corporation or its subsidiaries unless otherwise noted.

TABLE of CONTENTS

Description	Page Number
01. Mattress Support, Head End, w/ Auto Regression	3
02. Mattress Support, Leg End	5
03. Bed End	7
04. Motor, Head End, Auto Regression	9
05. Motor, Leg End	11
06. Motor, Bed End Lifting	13
07. Control Unit (120v)	15
08. Battery Backup	17
09. Hand Controls	19
10. Side Rail, Verso II	21
11. Lifting Pole	23
12. Transport Kit	25
13. Side Panels	26

Mattress Support, Head End, w/ Auto Regression

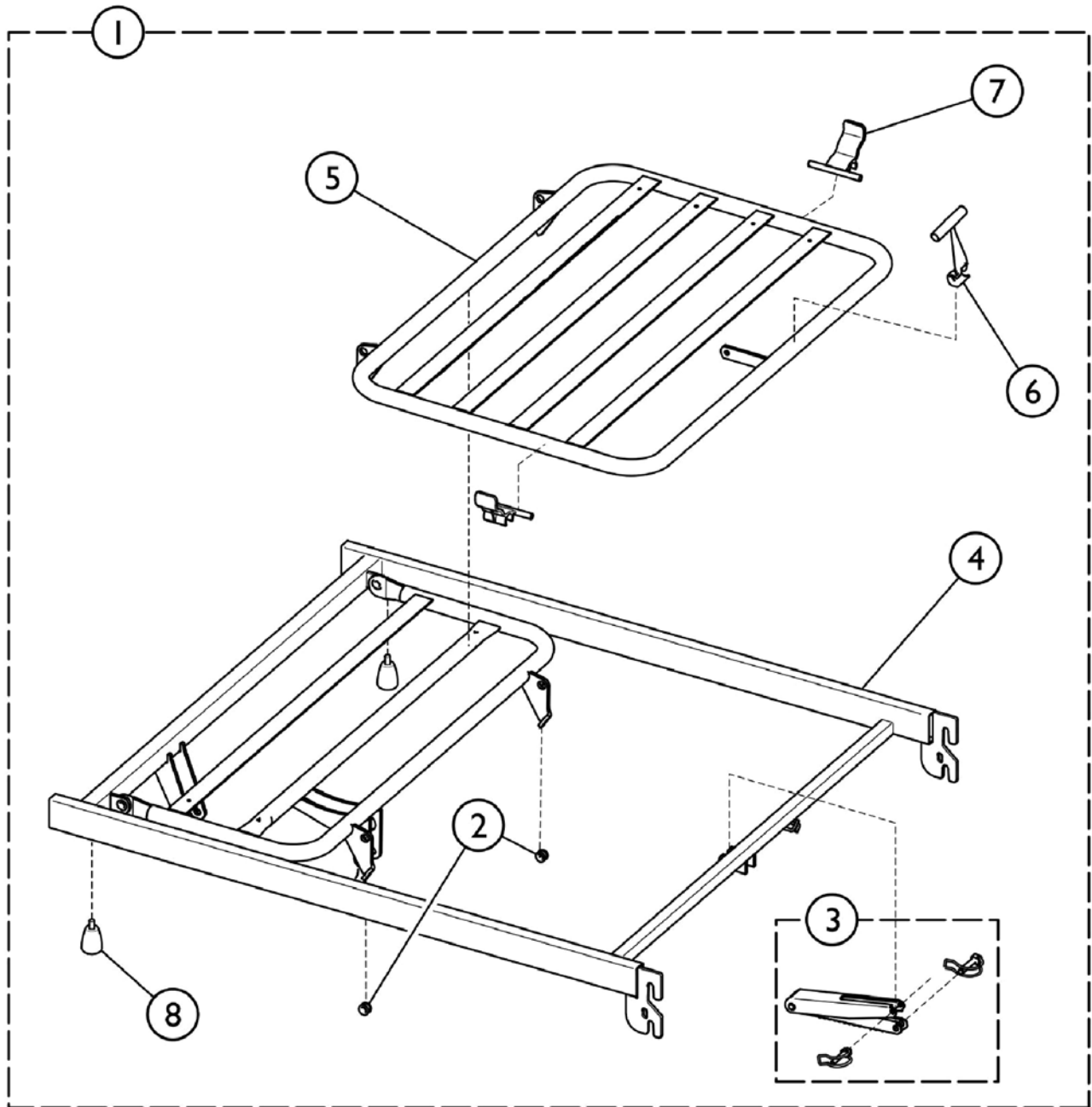


SBP_064A

Mattress Support, Head End, w/ Auto Regression

Item Number	Note	Part Number	Description	Quantity Per	
				Package	Assembly
1		SP319155-7035	Slide Shoe, Grey (Pair)	2	1
2		SP1435195	Kit, Rivet Replacement	1	1
3		SP1587778	Kit, Tension Rod	1	1
4		SP1587784	Top Frame, Head End	1	1
5		SP1587785	Backrest	1	1
6		SP1574230	Mattress Holder (Pair)	2	1
7		SP1584437	Screw, Finger (M8 x 13) (Pair)	2	1
8		SP1584419	Insert Tubes (Pair)	2	1

Mattress Support, Leg End



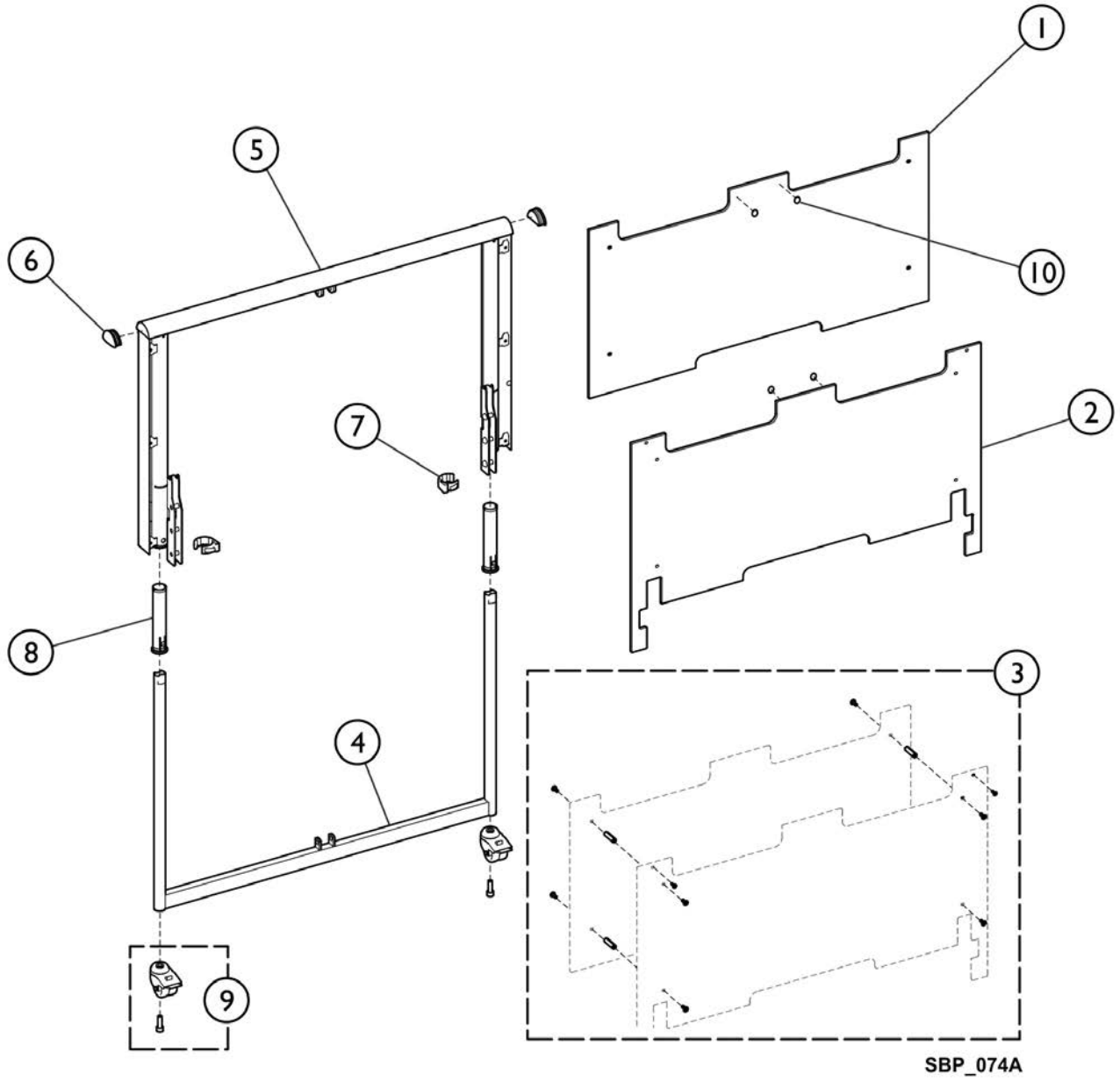
SBP_068A

Mattress Support, Leg End

Item Number	Note	Part Number	Description	Quantity Per	
				Package	Assembly
1	A	SP1587786	Mattress Support, Complete, Leg End	1	1
2		SP1435195	Kit, Rivet Replacement	1	1
3		SP1417418	Kit, Ratchet and Pin, Four Sections	1	1
4		SP1587787	Top Frame, Leg Section	1	1
5		SP1587788	Leg Section	1	1
6		SP217996-7035	Handle for Leg Section	1	1
7		SP1574230	Mattress Holder (Pair)	2	1
8		SP1584437	Screw, Finger (M8 x 13) (Pair)	2	1

NOTE: A - Includes items 2 - 8.

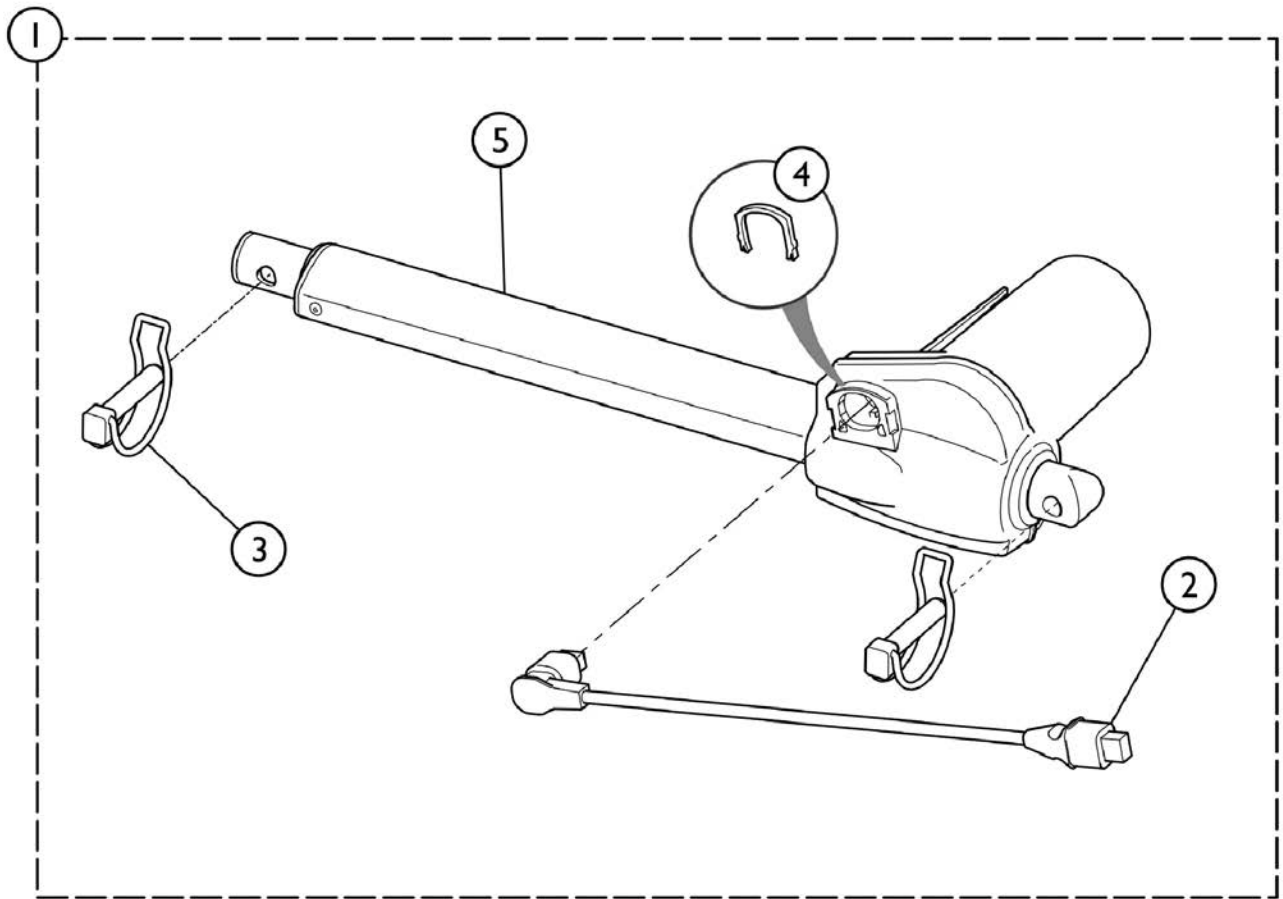
Bed End



Bed End

Item Number	Note	Part Number	Description	Quantity Per	
				Package	Assembly
1		SP1580848	Outer Plate, Bed End	1	1
2		SP1580849	Inner Plate, Bed End	1	1
3		SP1177554	Kit, Cover Fixation, Wood Cover	1	1
			Screw, Furniture (M6 x 15)	1	8
			Standoff (M6 x 40 mm)	1	4
4		SP1587789	Bed End, Lower Part	1	1
5		SP1587790	Bed End, Upper Part	1	1
6		SP1441400-703 5	End Plug (Each)	1	2
7		SP418443-7035	Locking Ring (Pair)	2	1
8		SP1563579	Kit, Plastic Tube	1	1
			Plastic Tube	1	4
9		SP1177548	Kit, Caster Assembly w/ Hardware (50mm)	1	1
			Caster Assembly, Low (50mm)	1	2
			Screw (M10 x 30mm)	1	2
10		SP806775	Rubber Pad (4 ea.)	4	1

Motor, Head End, Auto Regression



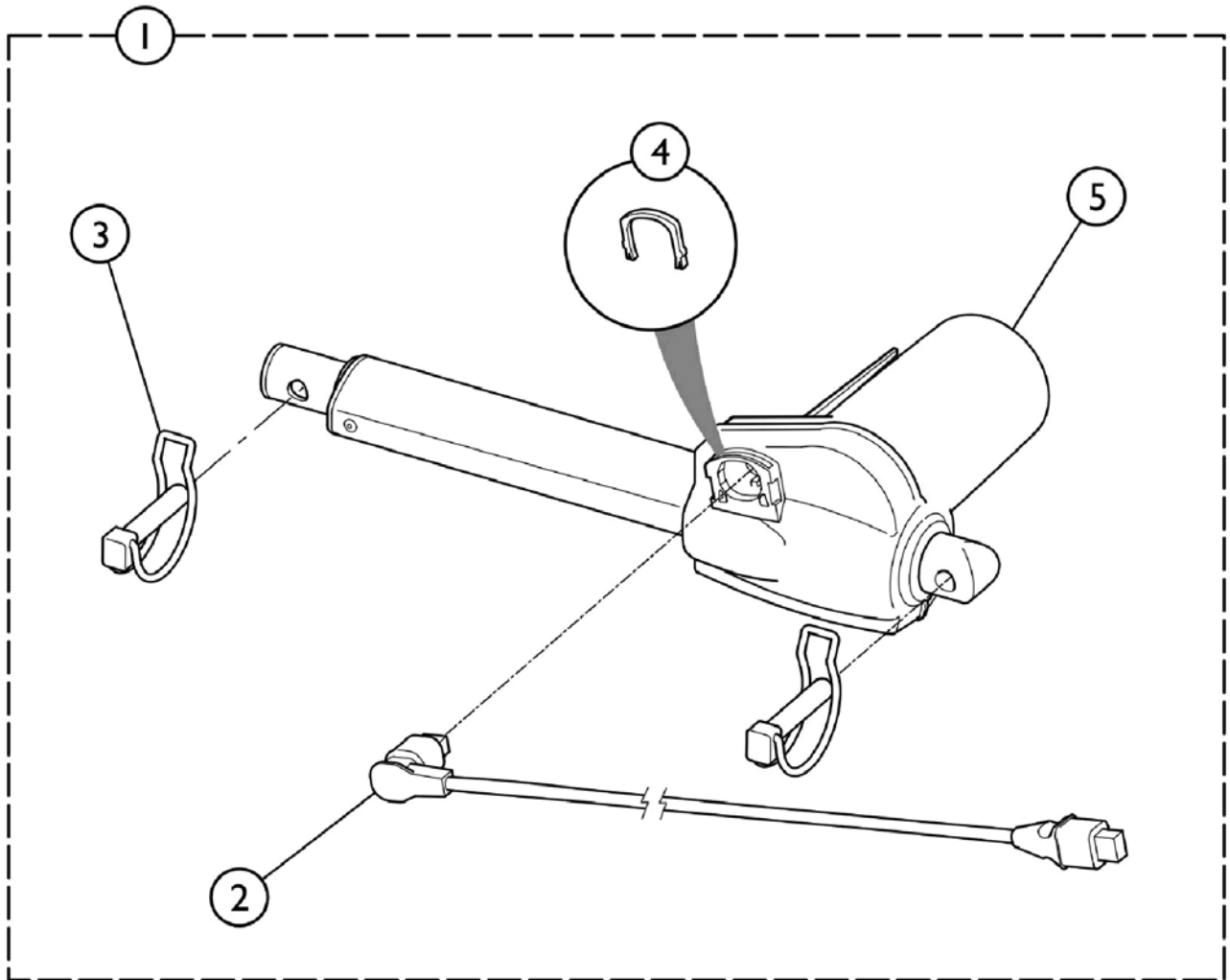
SBP_063A

Motor, Head End, Auto Regression

Item Number	Note	Part Number	Description	Quantity Per	
				Package	Assembly
1	A	SP1584451	Motor, Head End, Complete	1	1
2		SP1551455-703 5	Cable, Actuator (LA27, 200mm)	1	1
3		SP819411	Retaining Pin Assembly (10 mm Dia. x 50)	1	1
4		SP1551875	Locking Clip (10 ea.)	10	1
5		SP1531616-703 5	Actuator (24V, LA27)	1	1

NOTE: A - Includes items 2 - 5.

Motor, Leg End



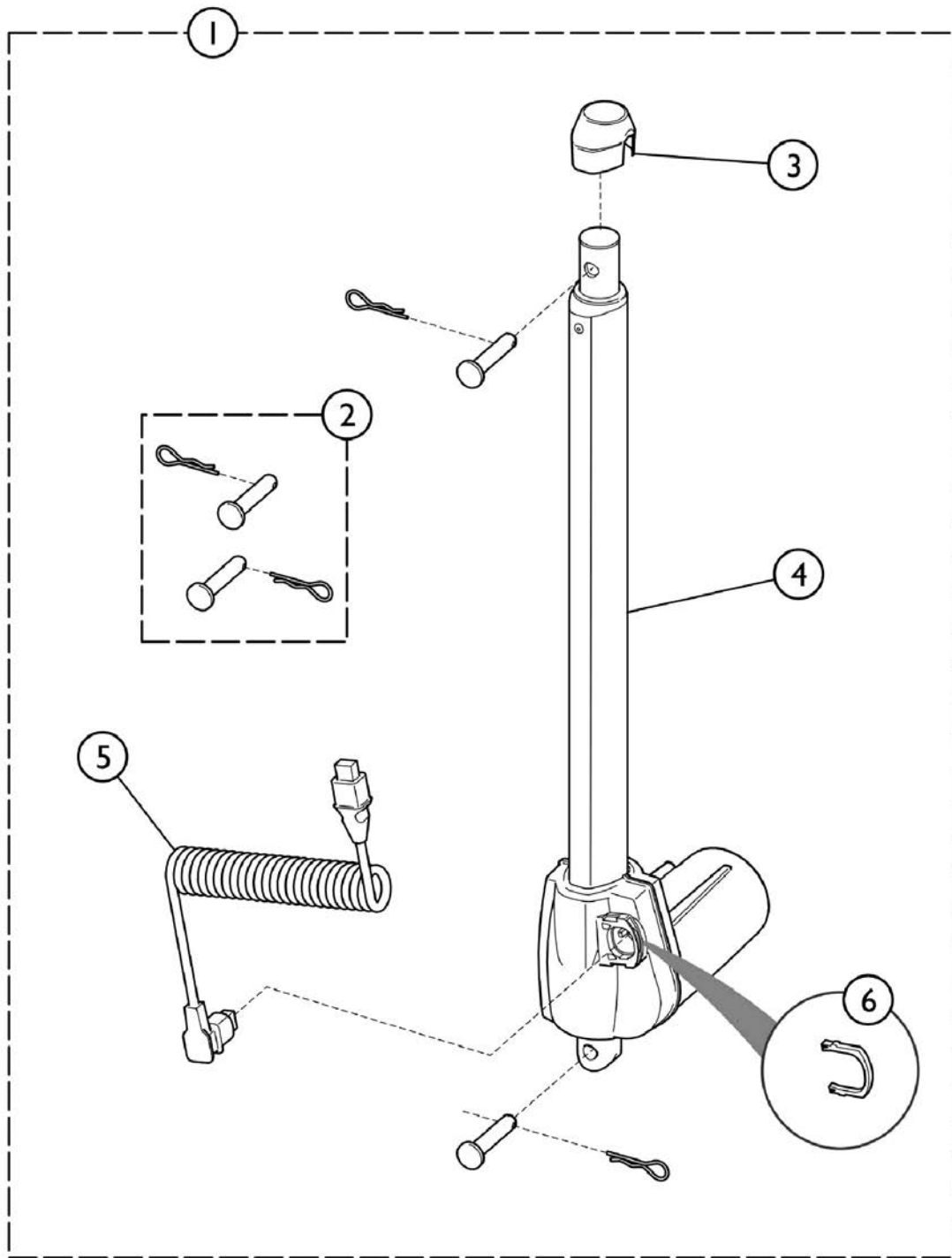
SBP_070A

Motor, Leg End

Item Number	Note	Part Number	Description	Quantity Per	
				Package	Assembly
1	A	SP1552616	Motor, Leg End, Complete	1	1
2		SP1551457-703 5	Cable, Actuator (LA27, 1250mm)	1	1
3		SP819411	Retaining Pin Assembly (10 mm Dia. x 50)	1	1
4		SP1551875	Locking Clip (10 ea.)	10	1
5		SP1551456-703 5	Actuator (24V, LA27)	1	1

NOTE: A - Includes items 2 - 5.

Motor, Bed End Lifting



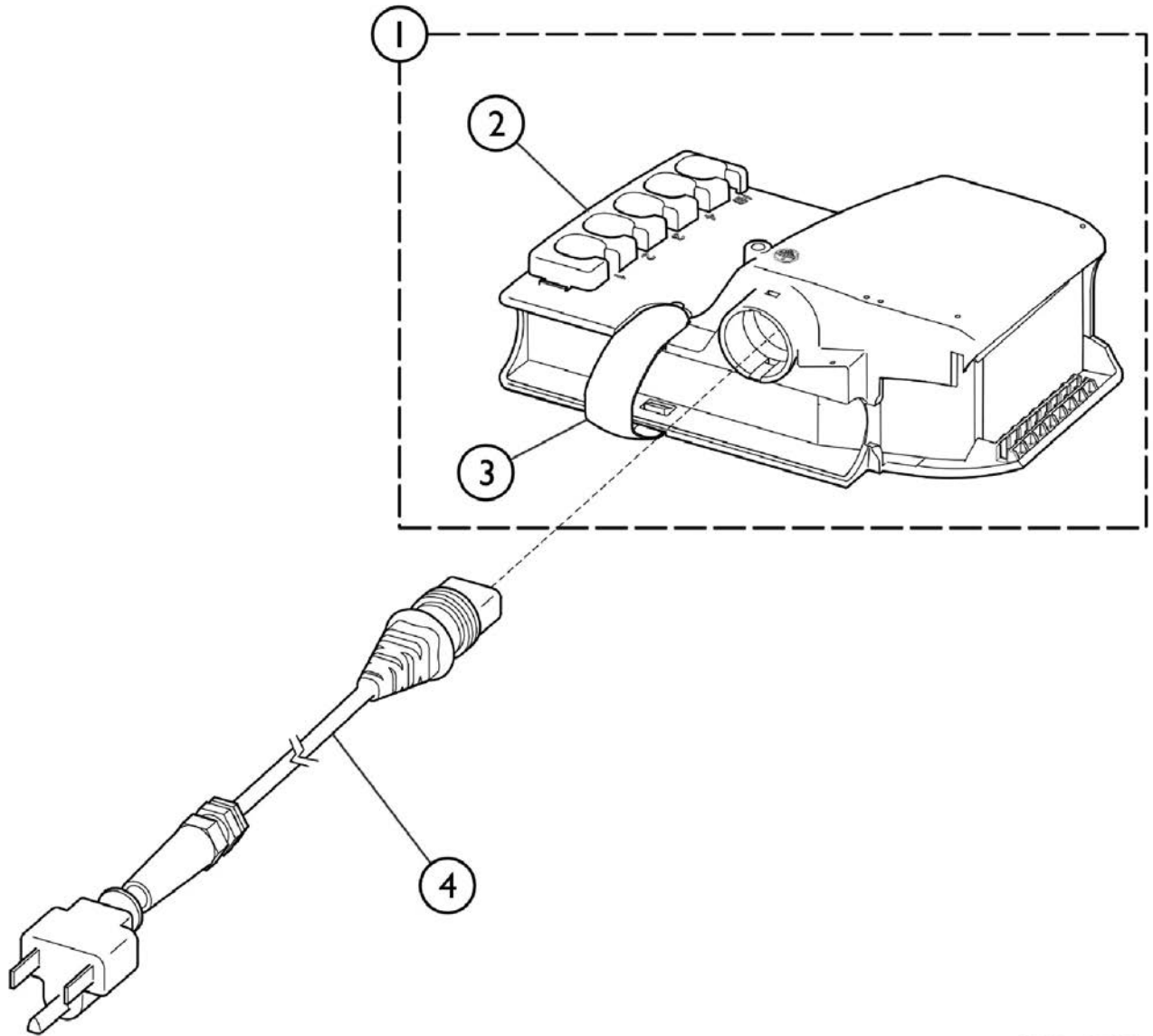
SBP_069A

Motor, Bed End Lifting

Item Number	Note	Part Number	Description	Quantity Per	
				Package	Assembly
1	A	SP1552524	Motor, Bed End, Complete (24V, LA27)	1	1
2		SP1584448	Kit, Mounting, Bed End Motor	1	1
3		SP1432760-703	Plastic Cap	1	1
		5			
4		SP1551452-703	Actuator (24V, LA27)	1	1
		5			
5		SP1551453-703	Cable, Actuator (LA27)	1	1
		5			
6		SP1551875	Locking Clip (10 ea.)	10	1

NOTE: A - Includes items 2 - 6.

Control Unit (120v)



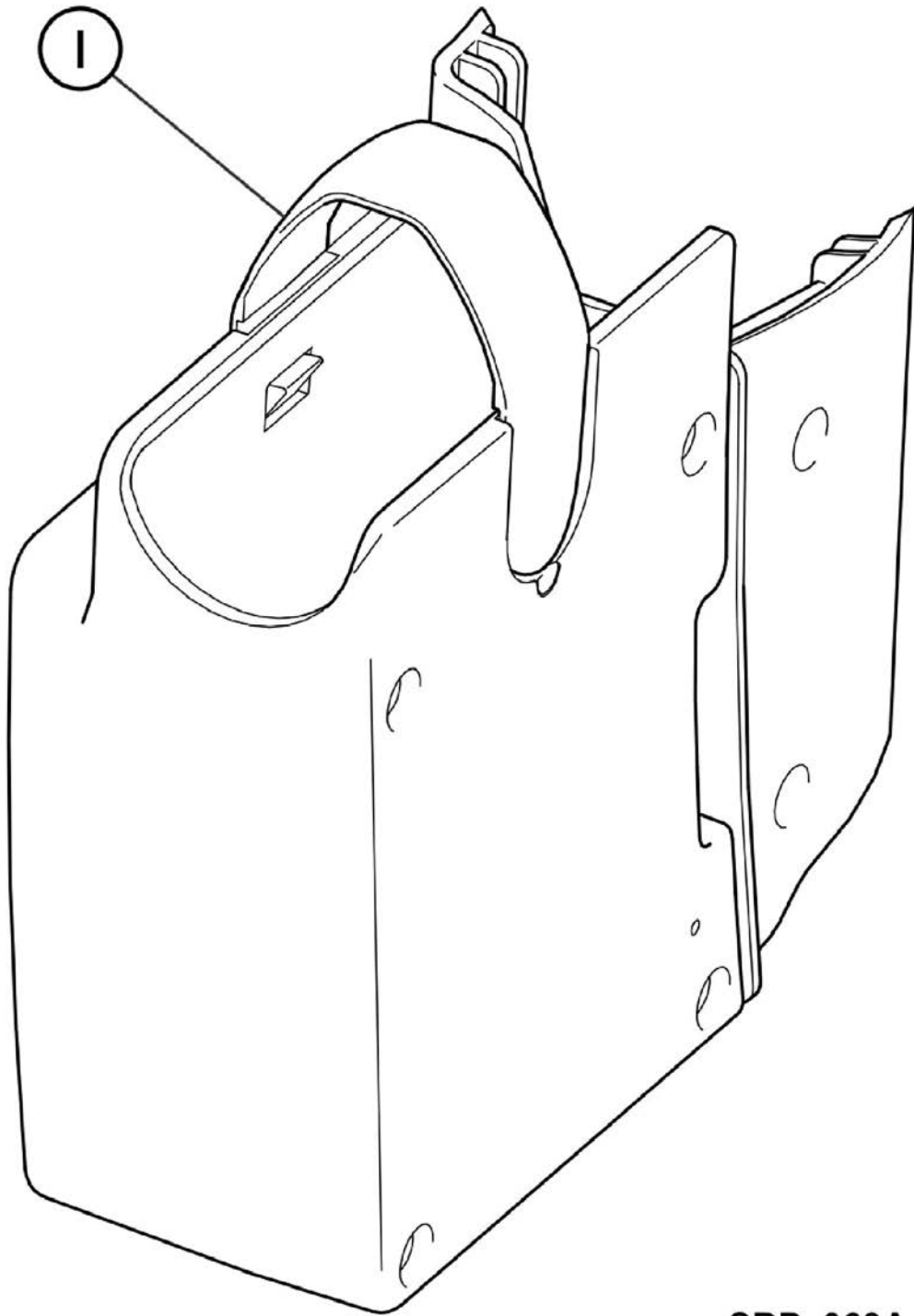
SBP_071A

Control Unit (120v)

Item Number	Note	Part Number	Description	Quantity Per	
				Package	Assembly
1	A	SP1580851	Control Unit (CB06, 120v)	1	1
2		SP1423968-703 5	Locking Clip	1	1
3		SP1427705-703 5	Control Box Retaining Clip	1	1
4		SP1581605	Cable (120v)	1	1

NOTE: A - Includes items 2 and 3.

Battery Backup

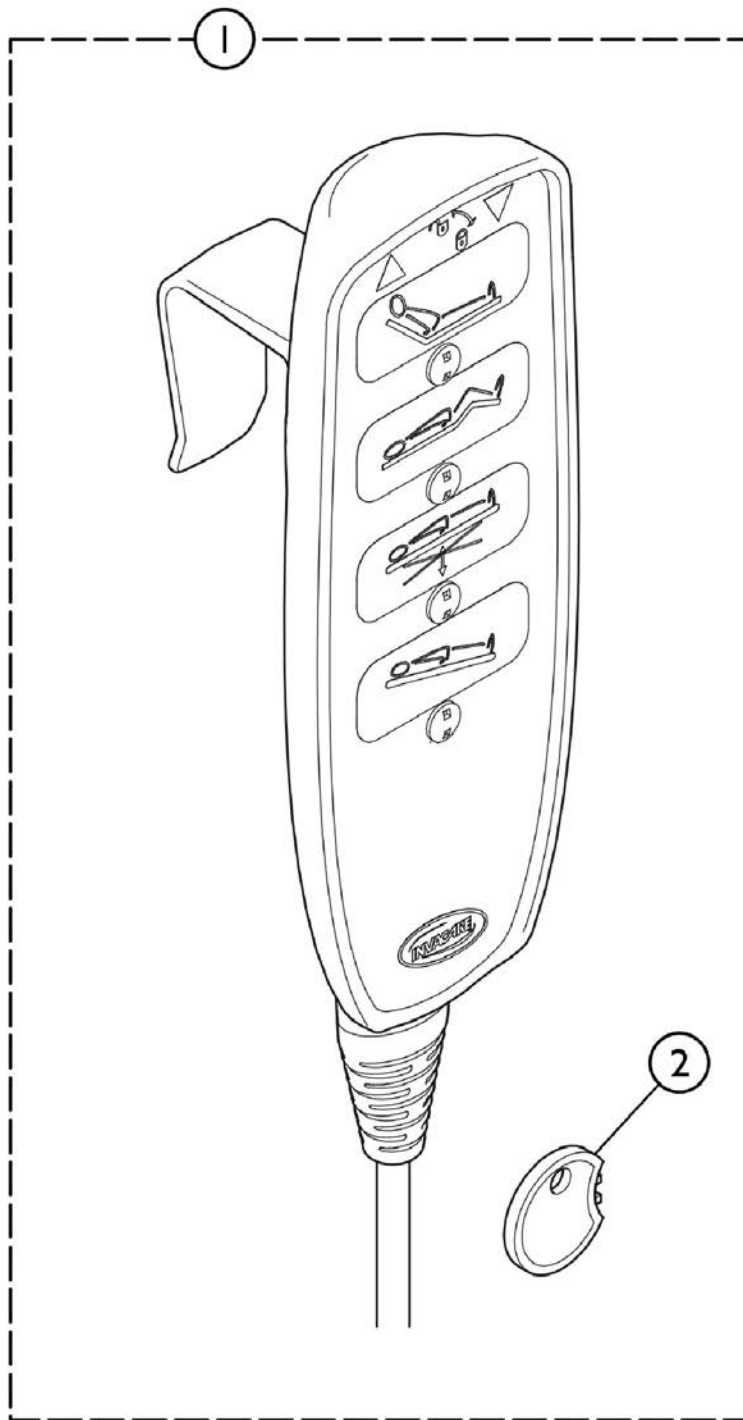


SBP_063A

Battery Backup

Item Number	Note	Part Number	Description	Quantity Per	
				Package	Assembly
1	A	SP1584186	Battery Backup	1	1
		SP1491150-703 5	Clips, Locking, Backup Battery (10 ea.)	10	1
NOTE: A - Not shown in the illustration.					

Hand Controls

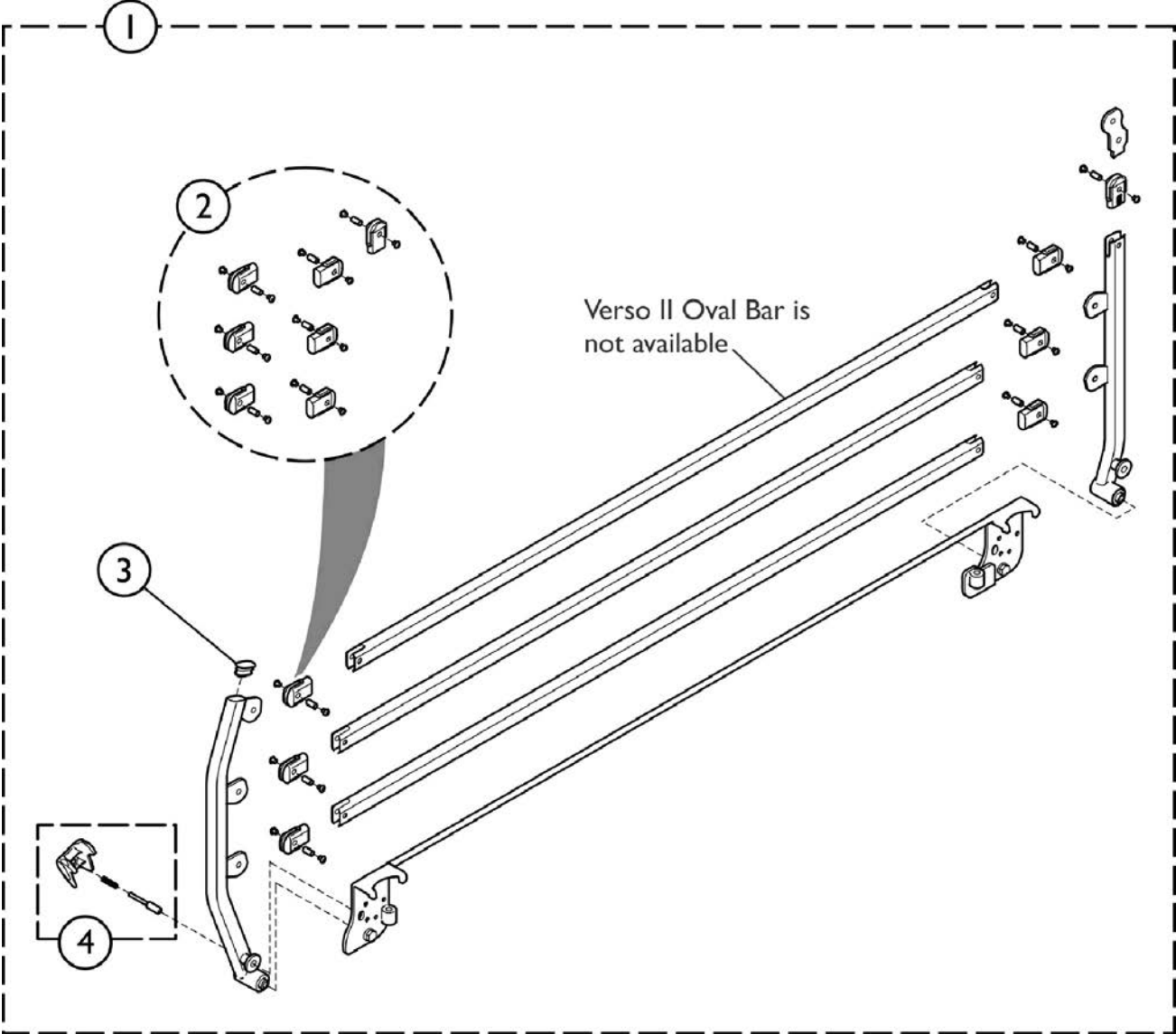


SBP_067A

Hand Controls

Item Number	Note	Part Number	Description	Quantity Per	
				Package	Assembly
1	A	SP1548936-703 5	Hand Control, HL84 w/ Tilt (Lockable)	1	1
2		SP1493529	Key, Handset Lockout (10 ea.)	10	1
NOTE: A - Includes item 2.					

Side Rail, Verso II



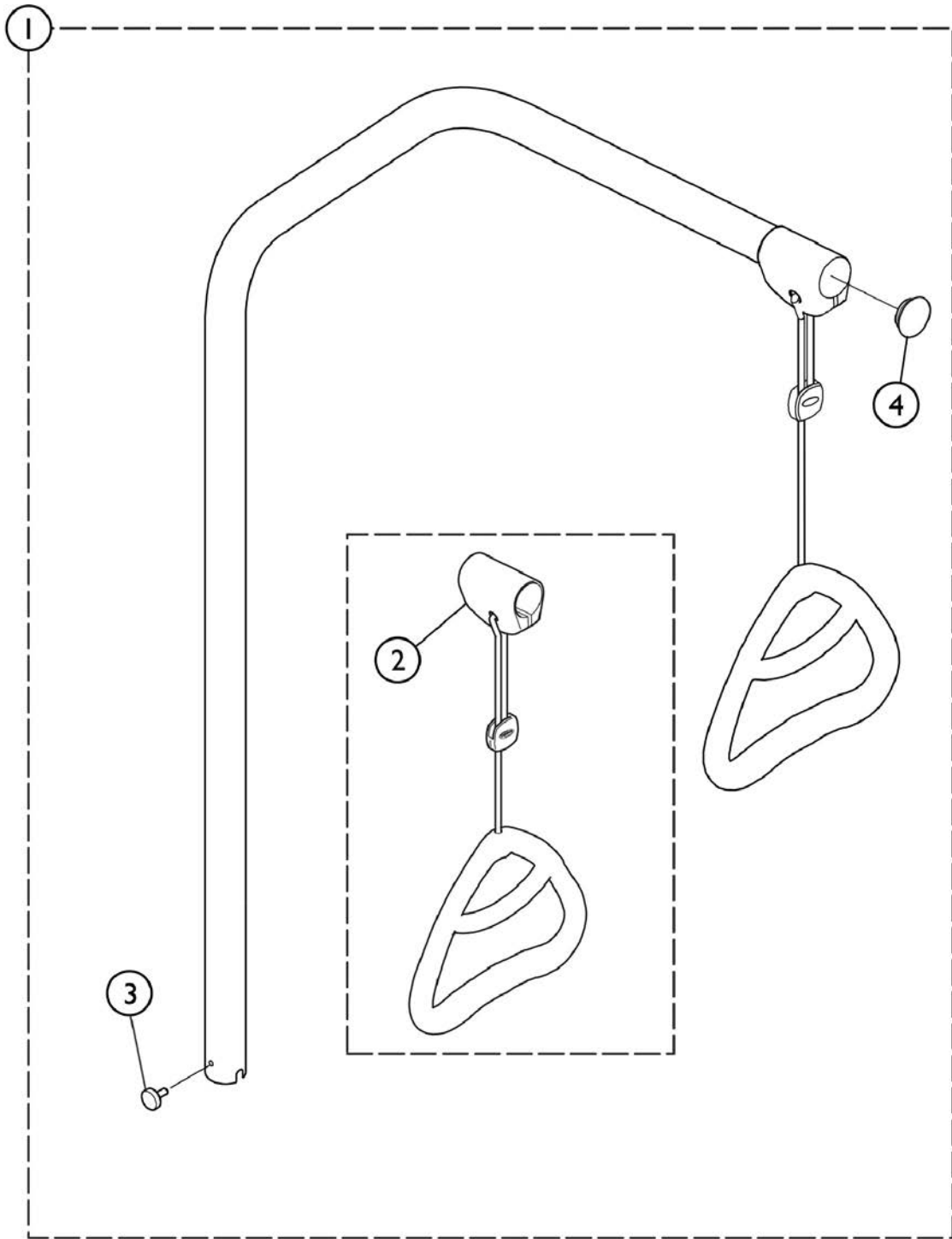
SBP_105A

Side Rail, Verso II

Item Number	Note	Part Number	Description	Quantity Per	
				Package	Assembly
1	A	1581823-7035	Side Rail, Verso II (Pair)	2	1
2		SP1553663	Side Rail Articulations	1	1
3		SP1554056-703	Oval Plastic Cap (36 x 18 x 1,5mm)	1	1
4		5 SP1553664	Locking System, Side Rail	1	1

NOTE: A - Includes items 2 - 4 and the Verso II Oval Bar. The Oval Bar is not sold separately.

Lifting Pole

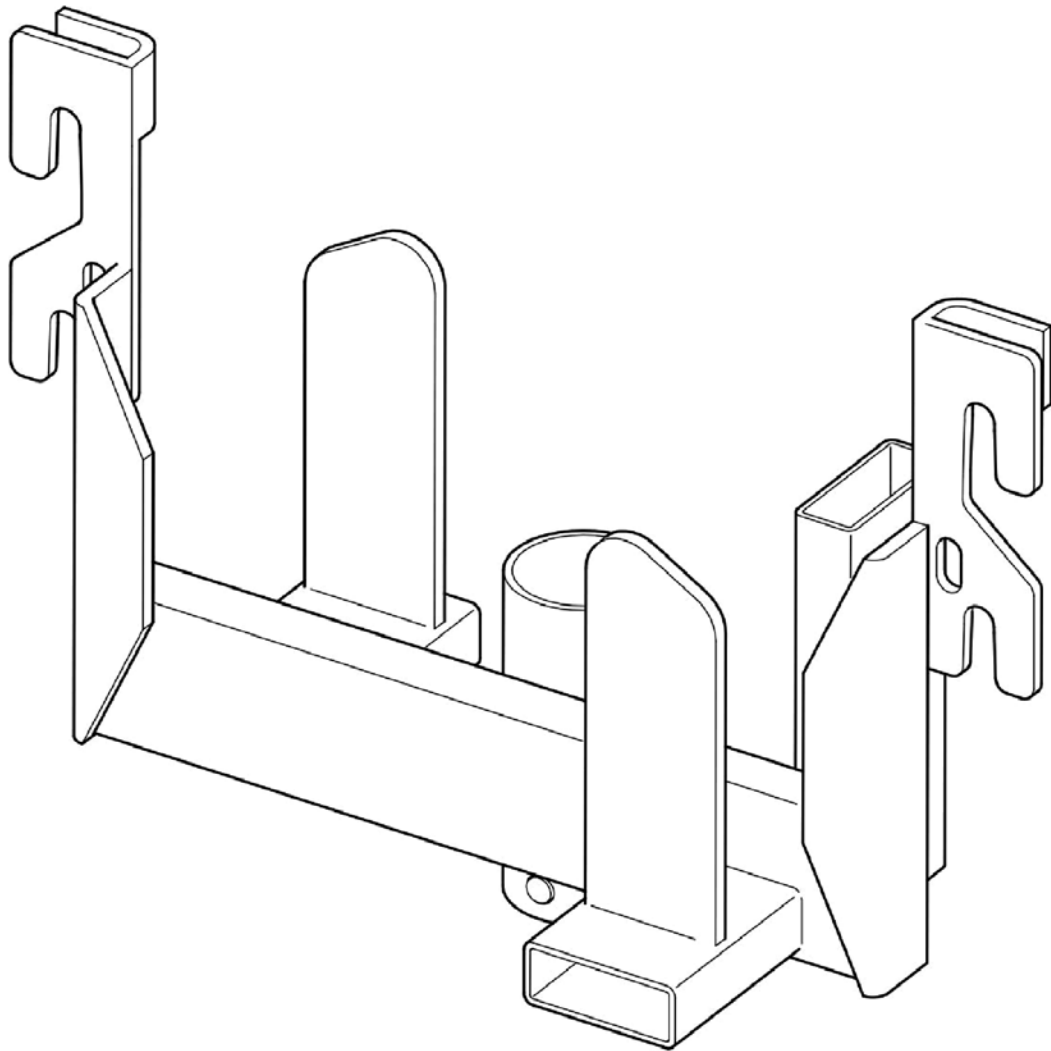


SBP_065A

Lifting Pole

Item Number	Note	Part Number	Description	Quantity Per	
				Package	Assembly
1	A	1542093-7035A	Kit, Lifting Pole	1	1
2			Handle w/ Suspension, Lifting Pole	1	1
3			Finger Screw	1	1
4			Cap, Lifting Pole (33mm)	1	1
2		SP320597	Kit, Handle w/ Suspension, Lifting Pole	1	1
4		SP317836	Cap, Lifting Pole (33mm) (Pair)	2	1
NOTE: A - Includes the Lifting Pole, Lifting Pole Handle w/ Suspension, Finger Screw and Lifting Pole Cap.					

Transport Kit

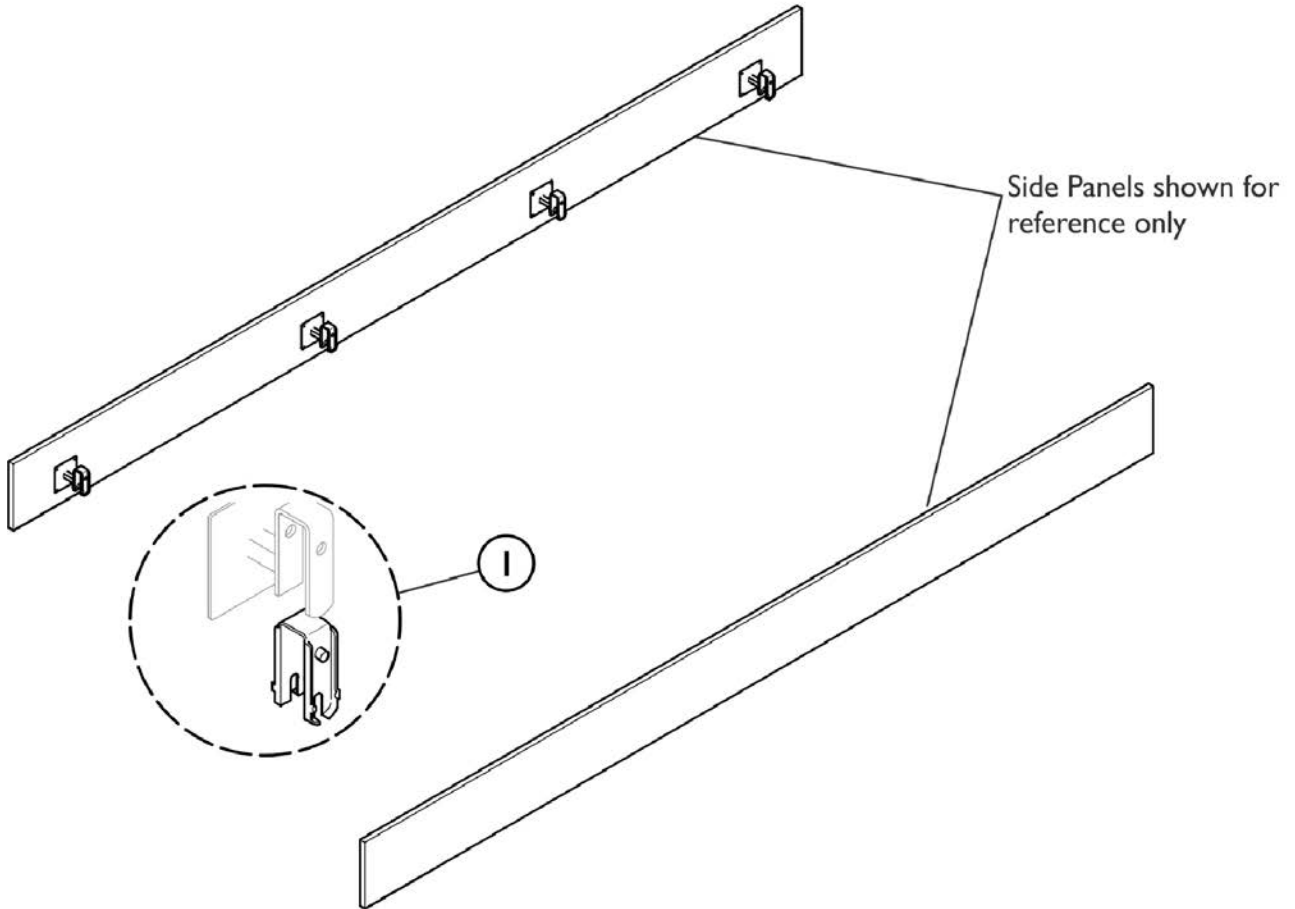


SBP_066A

Item Number	Note	Part Number	Description	Quantity Per	
				Package	Assembly
1	A	1543779-7035	Kit, Transport Bracket (Pair)	2	1

NOTE: A - Includes 2 Transport Brackets

Side Panels



SBP_073A

Side Panels

Item Number	Note	Part Number	Description	Quantity Per	
				Package	Assembly
1		SP421843-7035	Insert, Plastic (4 ea.)	4	1



Yes, you can.