

Parts List for
Joerns®
Easy Care®
2003 Bed

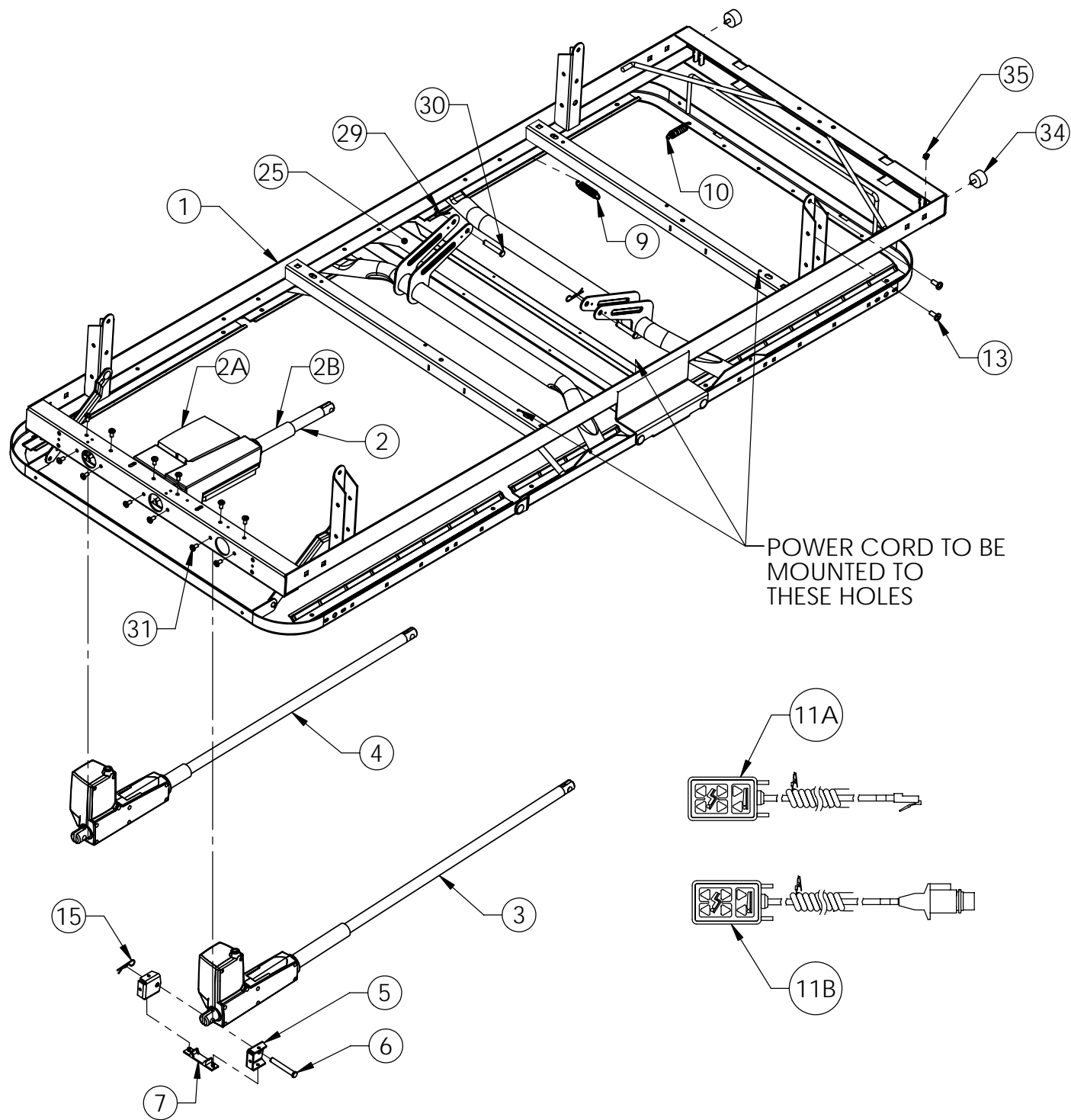
Model B684DC



To avoid injury, read user's manual before using bed.



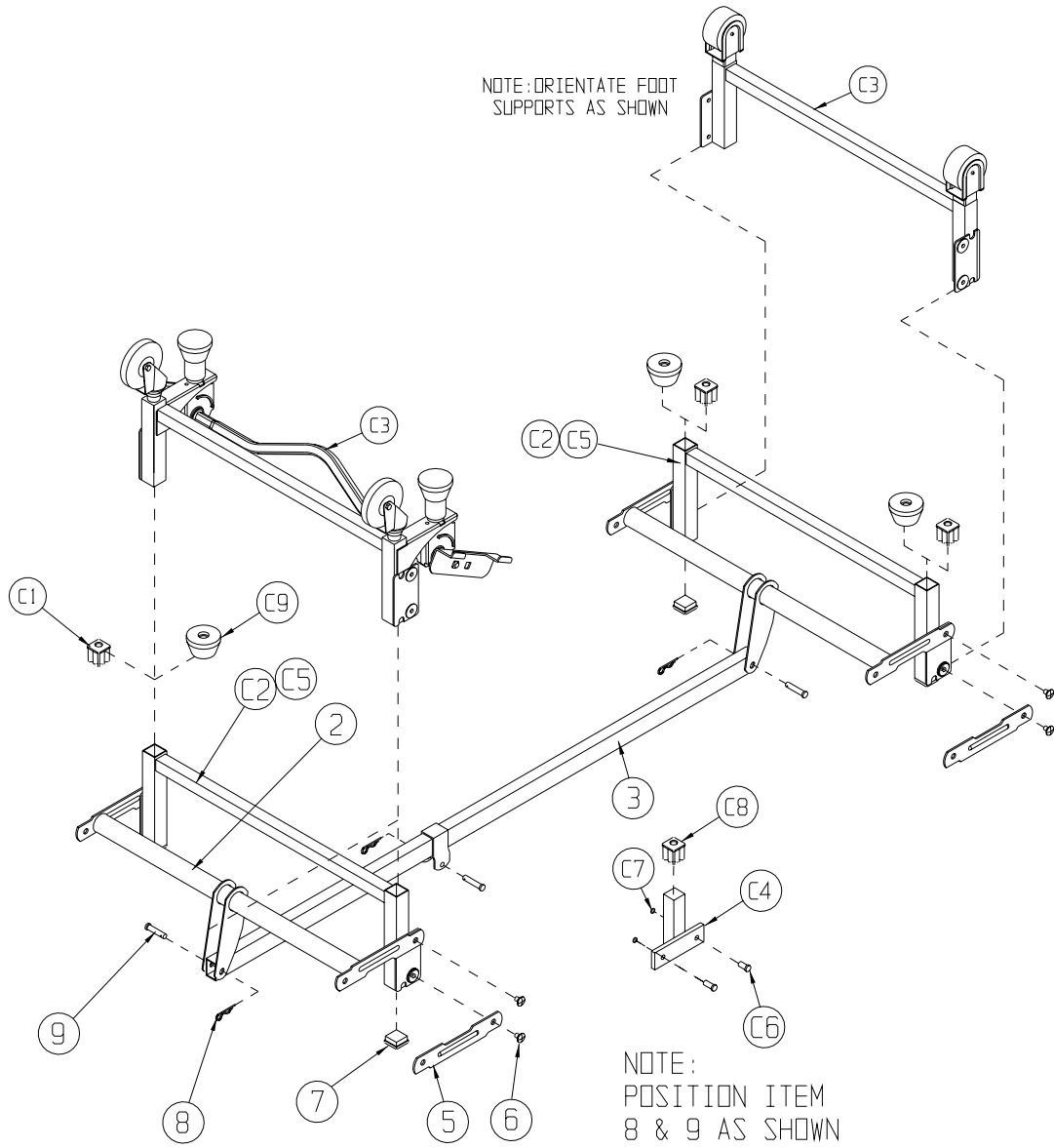
EASY CARE 2003 - B684DC
FINAL ASM. 76" & 80" ELECTRIC BEDS
6130058



**EASY CARE 2003 - B684DC
FINAL ASM. BOM 76" & 80" ELECTRIC BED
6130058**

ITEM	PART NO.	DESCRIPTION	B684GLS 76" LINK	B684OLS 80" LINK	B684GGS 76" GRID	B684OGS 80" GRID
1	31008573	BED SPRING SUB ASSEMBLY - 76" GRID	-	-	1	-
	31008572	BED SPRING SUB ASSEMBLY - 80" GRID	-	-	-	1
	31008218	BED SPRING SUB ASSEMBLY - 76"	1	-	1	-
	31008217	BED SPRING SUB ASSEMBLY - 80"	-	1	-	1
2	11011081	ACTUATOR, HI-LO W/CONTROL BOX	1	1	1	1
2A	11011085	CONTROL BOX	1	1	1	1
2B	11011086	ACTUATOR, HI-LO	1	1	1	1
3	11011082	ACTUATOR, HEAD	1	1	1	1
4	11011083	ACTUATOR, KNEE	1	1	1	1
5	11010170	MOTOR MOUNT BRACKET	6	6	6	6
6	12793110	PIN, CLEVIS 3/8 X 2 5/8	3	3	3	3
7	11010192	MOTOR MOUNT RETAINER	3	3	3	3
8	11007520	SPRING FABRIC - 76" (NOT SHOWN)	1	-	-	-
	11005744	SPRING FABRIC - 80" (NOT SHOWN)	-	1	-	-
9	11007000	SPRING, SIDE HELICAL	68	72	-	-
10	11007008	SPRING, END HELICAL	12	12	-	-
11A	11011474	PENDANT, (STAFF CONTROL)	1	1	1	1
11B	11011963	PENDANT, (NO STAFF CONTROL)	1	1	1	1
12						
13	39000052	KIT, RIVET REPLACEMENT	16	16	16	16
14						
15	12751211	PIN, HAIR CLIP #216	3	3	3	3
16						
17						
18						
19						
20						
21						
22						
23						
24						
25	11010371	SEAT PAN	-	-	1	1
26						
27						
28	12200686	CLIP ASSEMBLY, PUSH MOUNT(NOT SHOWN)	4	4	4	4
29	12751211	PIN, BRIDGE .09 X 2	2	2	2	2
30	12751211	PIN, CLEVIS 3/8 X 2	2	2	2	2
31	12552579	SCREW, 1/4-20 XS 1/2	12	12	16	16
32	12551013	SCREW, #10-32 X 3/8 PPHTFS	1	1	1	1
33	12851001	WASHER, EX TOOTH LOCK #10	1	1	1	1
34	12453102	BUMPER	2	2	2	2
35	12672501	NUT, 1/4-20 KEPS	2	2	2	2

Easy Care 2003 - B684DC
Final Asm. 76" & 80" Electric Beds
6130058

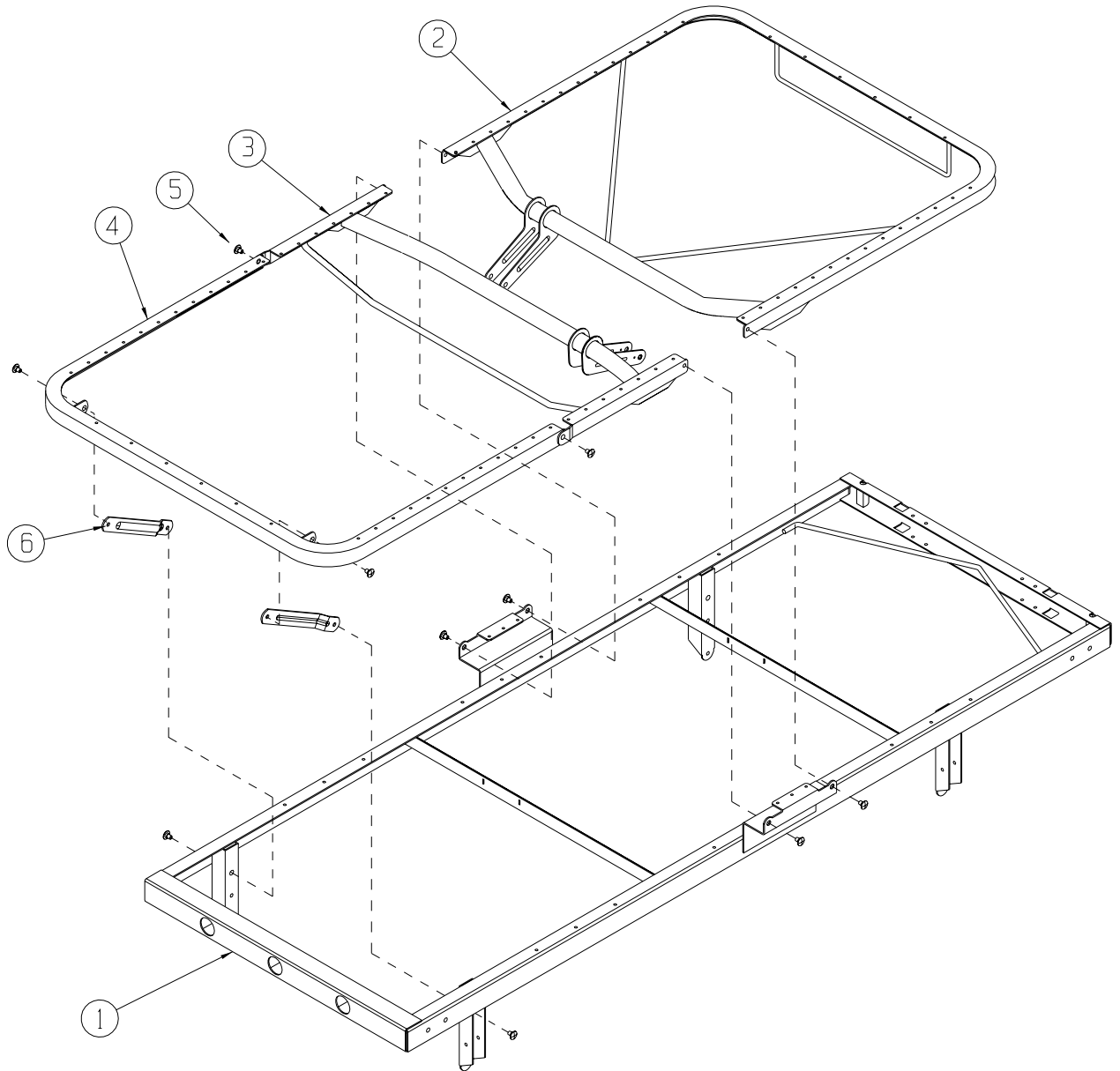


			6846LS 76" LINK	6840LS 80" LINK	6846PS 76" PAN	6840PS 80" PAN
10	SEE TABLE	CASTER OPTIONS	1	1	1	1
9	12793106	PIN, CLEVIS 3/8 x 2	3	3	3	3
8	12751211	PIN, BRIDGE .09 x 2	3	3	3	3
7	12470453	CAP, END	4	4	4	4
6	39000052	KIT, RIVET REPLACEMENT	16	16	16	16
5	11010171	LINK, PARALLEL	4	4	4	4
4	-	-	-	-	-	-
3	24005745	DRAG LINK ASSEMBLY	1	1	1	1
2	24005803	HI LO LEVER WELDMENT	2	2	2	2
1						
ITEM	PART NO.	DESCRIPTION	6846LS 76" LINK	6840LS 80" LINK	6846PS 76" PAN	6840PS 80" PAN

CASTER OPTIONS

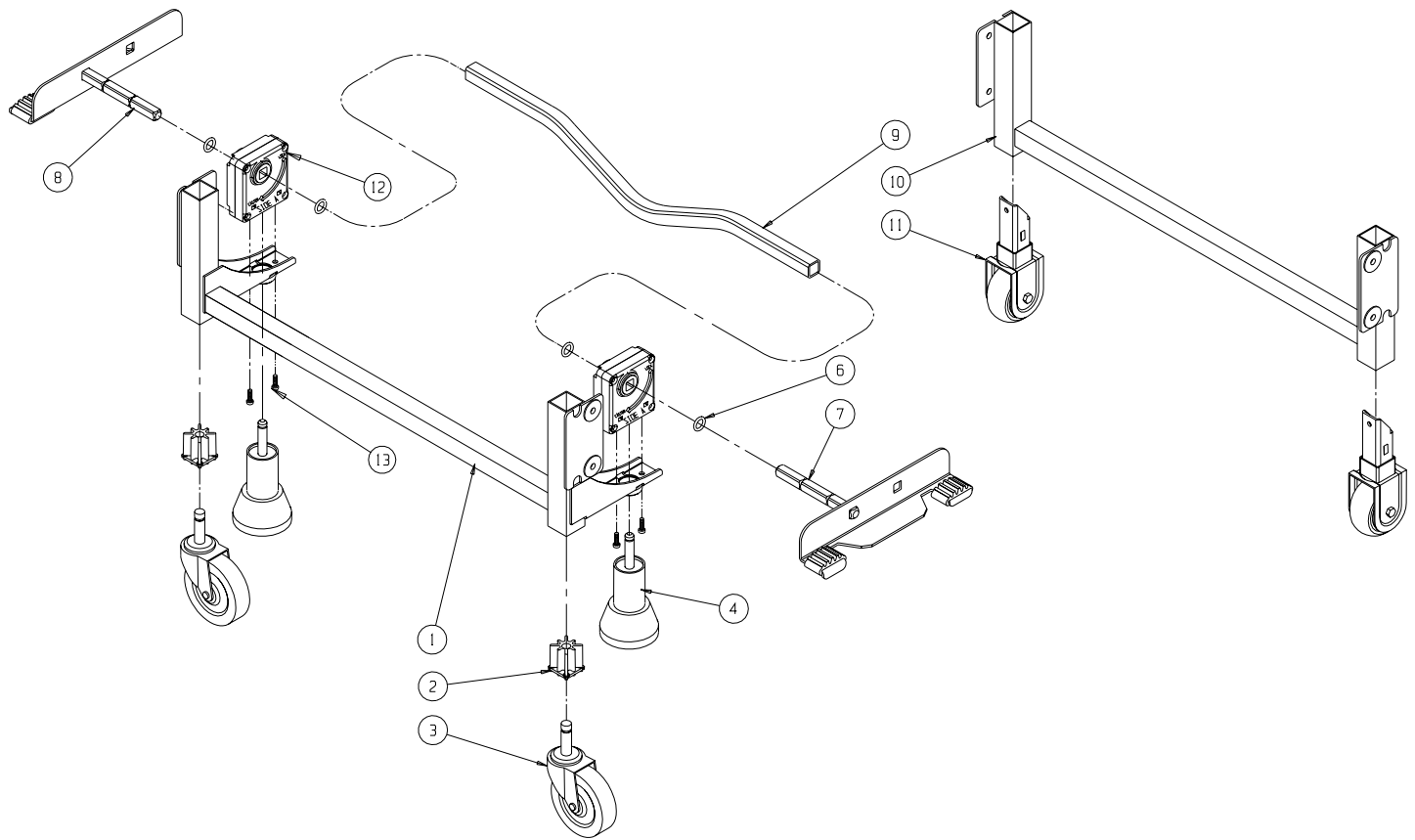
CASTER OPTIONS			
STANDARD CASTER OPTION			
C1	11009561	SOCKET, CASTER	4
C2	24005746	WELD. FOOT ASM.	2
GRIPLOCK OPTION			
C3	31008519	GRIPLOCK SUB-ASM.	1
XL OPTION			
C4	24005914	SOCKET ASM.	4
C5	24005915	WELD. FOOT ASM.	2
C6	12543710	SCREW, 3/8-16 x 1 HHMS	8
C7	12673718	NUT, 3/8-16 HEX NYLOCK	8
C8	11009561	SOCKET, CASTER	4
C9	11009576	PAD, FOOT	4
C10	31007640	BAG ASM, CASTERS (NOT SHOWN)	1

Easy Care 2003 - B684DC
 Bed Frame Sub-Asm
 6130058



6	11010381	11010381	11010381	11010381	LEVELER, FOOT	2
5	39000052	39000052	39000052	39000052	KIT, RIVET REPLACEMENT	--
4	24005608	24005608	24006124	24006124	WELDMENT, FOOT SECTION	1
3	24005747	24005747	24006123	24006123	WELDMENT, KNEE SECTION	1
2	24006164	24006165	24006121	24006122	WELDMENT, HEAD SECTION	1
1	24005743	24005750	24005743	24005750	WELDMENT, MAINFRAME	1
ITEM	31008217 80" BED	31008218 76" BED	31008572 80" BED	31008573 76" BED	DESCRIPTION	QTY.
	LINK		GRID			

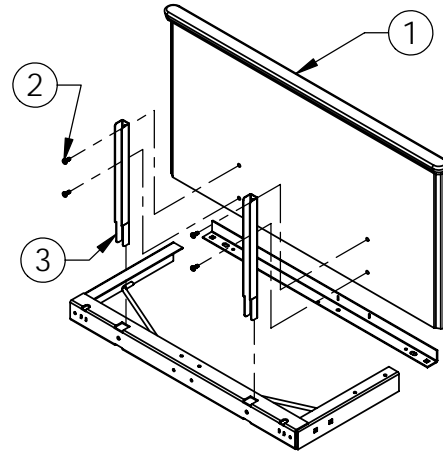
Easy Care 2003 - B684DC
 Grip-Lock Asm.
 6130058



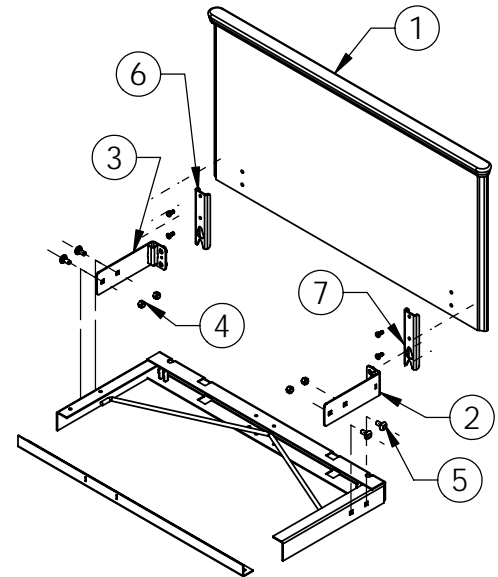
GRIP-LOCK 31008519				
ITEM	SIZE	PART NO	DESCRIPTION	QTY
13	-	12542584	SCREW, CAP, 1/4 X 28 X 7/8"	4
12	B	31008515	POSITIONER, GRIPLOCK	2
11	A	31008294	WHEEL ASM.	2
10	B	24005935	WLD, HEAD END	1
9	B	11010805	TUBE, DRIVE	1
8	A	31008516	ASM., LEFT PEDAL	1
7	A	31008517	ASM., RIGHT PEDAL	1
6	-	12190012	O-RING, 1/2" ID X 3/4" OD	4
5				
4	A	31008559	ASM., STEM W/GRIP RING	2
3	B	10630301	CASTER, 3" W/O BRAKE	2
2	C	11009561	CASTER SOCKET	2
1	C	24005934	FOOT SUPPORT	1
ITEM	SIZE	PART NO	DESCRIPTION	QTY

EASY CARE 2003 - 684DC
 HEAD & FOOT PANEL BRACKETS
 6130058

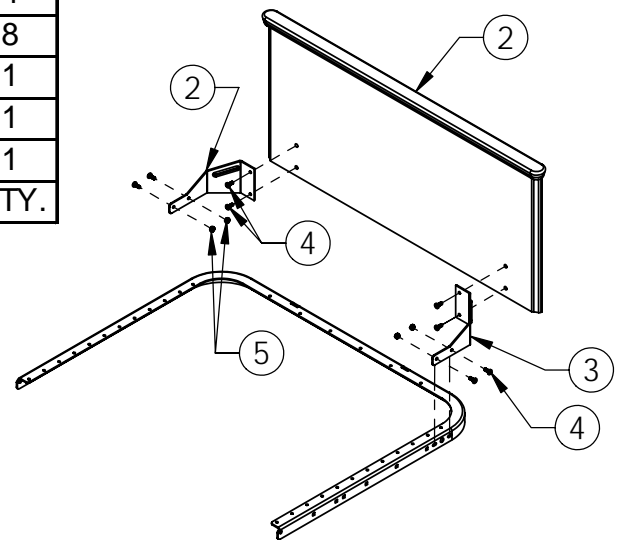
3	11010177	HEAD PANEL BRACKET	2
2	12542525	SCREW, 1/4-20 X 1/2"	4
1	-----	HEAD PANEL	1
ITEM	PART NO.	DESCRIPTION	QTY.



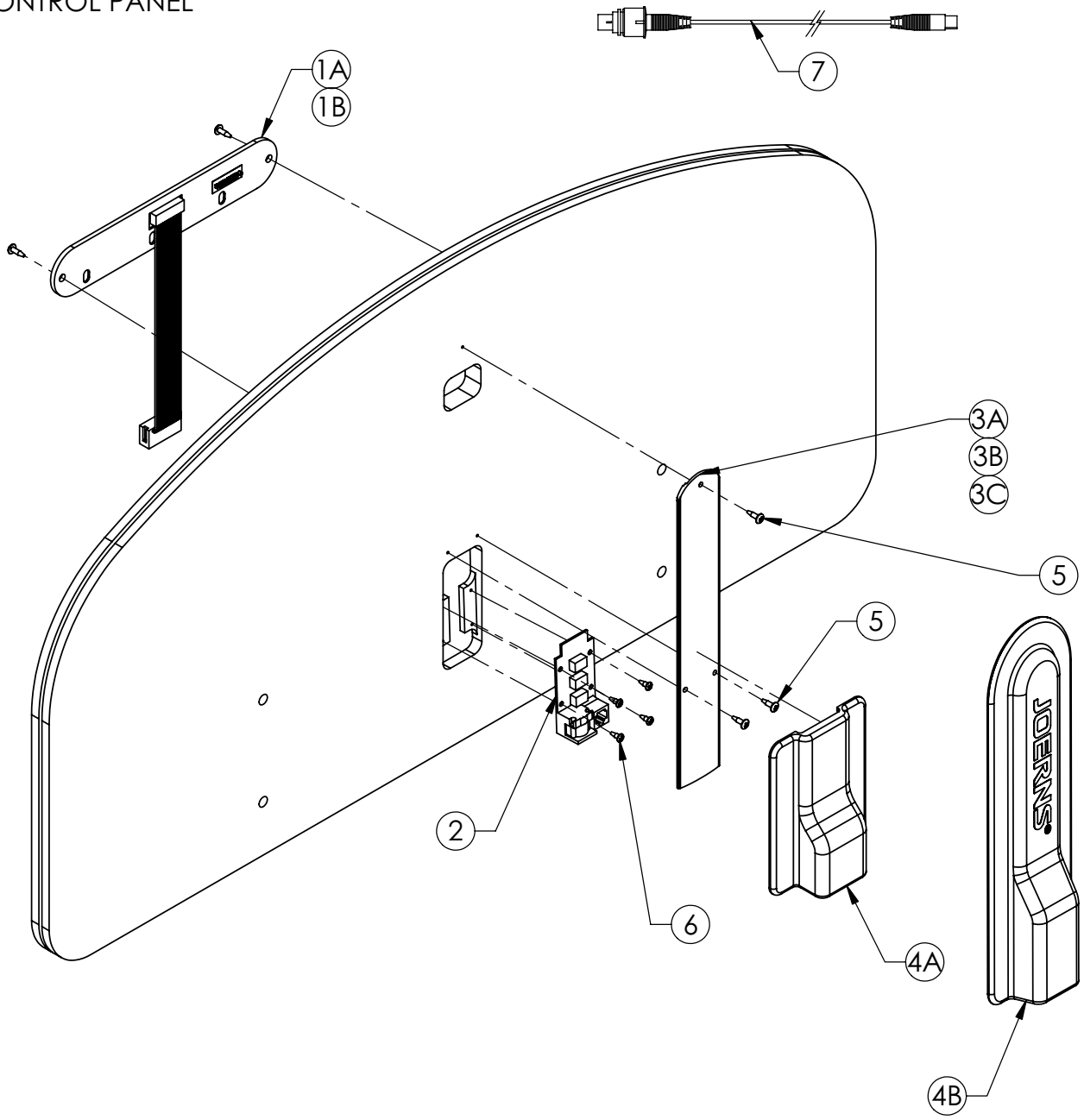
7	12542509	SCREW, 1/4-20 X 1	2
6	11010250	BRACKET, FOOT PANEL	2
5	12543710	SCREW, 3/8 X 16 X 1, HHMS	4
4	12673718	NUT, LOCK, 3/8-16	4
3	24005776	BRACKET, SUPPORT, RH	1
2	24005775	BRACKET, SUPPORT, LH	1
1	-----	FOOT PANEL	1
ITEM	PART NO.	DESCRIPTION	QTY.



5	12672503	NUT, LOCK ELASTIC 1/4-20	4
4	12542525	SCREW, 1/4-20 X 1/2"	8
3	11010253	BRACKET, SUPPORT, LH	1
2	11010252	FOOT PANEL BRACKET RH	1
1	-----	FOOT PANEL	1
ITEM	PART NO.	DESCRIPTION	QTY.



EASY CARE 2003 - B684DC
STAFF CONTROL PANEL
6130058



STAFF CONTROL PANEL COMPONENTS
76" AND 80" VERSIONS
MODEL: B684DC

ITEM	PART NO.	DESCRIPTION	QTY.	QTY.	QTY.
1A	11010490	STAFF CONTROLLER	1	-	-
1B	11012068	STAFF CONTROLLER	-	1	1
2	11011775	PC BOARD, DC STAFF CONTROL	1	1	1
3A	11011093	COVER, WIRE	1	-	-
3B	11012069	COVER, WIRE	-	1	-
3C	11012206	COVER, WIRE	-	-	1
4A	11012073	COVER, PC BOARD	-	1	-
4B	11012145	COVER, PC BOARD	-	-	1
5	12570626	SCREW, #6 X 1/2 PTHSMS	3	2	2
6	12570618	SCREW, #6 X 3/8-PPHSMS	4	4	4
7	11011087	STAFF CONTROL, PATCH CABLE	1	1	1
8	39000860	KIT, WIRE COVER (NOT SHOWN)	-	-	1
9	31008878	KIT, WIRE COVER (NOT SHOWN)	-	1	-
			BEFORE MAR. 2003	AFTER MAR. 2003	AFTER JAN. 2004

Notes



5001 Joerns Drive
Stevens Point, WI 54481
USA

Phone: (800) 826-0270

Fax: (800)457-8827

www.sunrisemedical-ltc.com

©2005 SUNRISE MEDICAL, INC. • 07/06• LITHO U.S.A.
Part #6130058B
DCO#: 06-0495